

**RUSSIAN - PRINTER 2  
(G062)  
PARTS CATALOG**

**First edition, September 2000**

**Ricoh Company, LTD.**

## **RUSSIAN - PRINTER 2 (G062)**

### **PARTS CATALOG**

This catalog gives the numbers and names of parts on this machine.

#### **CONTENTS**

<b>RUSSIAN – PRINTER 2</b>	<b>(G062)</b>
<b>AD370(For P)/380(For P2)</b>	<b>(G529/G582)</b>
<b>Bridge Unit Type270(For P)</b>	<b>(A897/</b>
<b>320(For P2)</b>	<b>G583)</b>
<b>SR510</b>	<b>(G302)</b>

#### **The following optional units are common with the Russian - Printer**

PS440	(A860)
PS420	(A862)
CS370	(G518)
SR720	(A681)
Interchange Unit Type 280	(G531)
Bypass Tray Type 270	(A899)

# RUSSIAN - PRINTER 2 (G062)

**NOTE:** The PM parts are listed in the first page of the parts index.  
These items are also bolded in the parts lists.

## RUSSIAN - PRINTER 2 (G062)

### PARTS CATALOG

This catalog gives the numbers and names of parts on this machine.

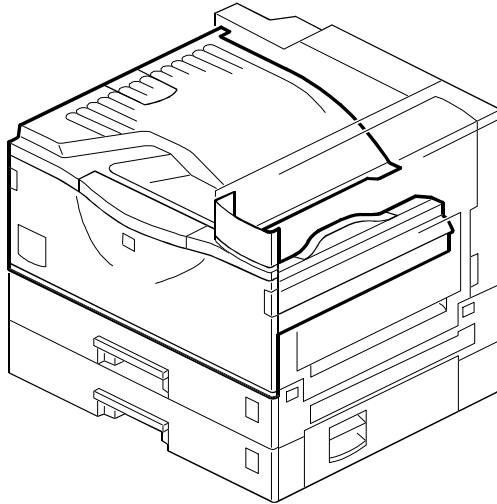
### CONTENTS

<b>LOCATION OF UNIT .....</b>	<b>2</b>	17.DRIVE SECTION 3 (G062) .....	38
1.EXTERIOR 1 (G062) .....	6	18.ELECTRICAL SECTION 1 (G062) .....	40
2.EXTERIOR 2 (G062) .....	8	19.ELECTRICAL SECTION 2 (G062) .....	42
3.LASER UNIT (G062) .....	10	20.FRAME SECTION (G062) .....	44
4.TRANSFER UNIT (G062) .....	12	21.PRINTER CONTROL BOARD (G062) .....	46
5.PAPER FEED SECTION 1 (G062) .....	14	22.ENGINE BOARD (G062) .....	50
6.PAPER FEED SECTION 2 (G062) .....	16	23.DECAL AND DOCUMENT (G062) .....	54
7.PAPER FEED SECTION 3 (G062) .....	18	24.SPECIAL TOOLS (G062) .....	56
8.TONER HOPPER UNIT (G062) .....	20	<b>PARTS INDEX.....</b>	<b>59</b>
9.PAPER REGISTRATION (G062) .....	22		
10.PAPER TRAY 1 (G062) .....	24		
11.PAPER TRAY 2 (G062) .....	26		
12.FUSING UNIT 1 (G062) .....	28		
13.FUSING UNIT 2 (G062) .....	30		
14.PAPER EXIT (G062) .....	32		
15.DRIVE SECTION 1 (G062) .....	34		
16.DRIVE SECTION 2 (G062) .....	36		

September ,30 ' 2000

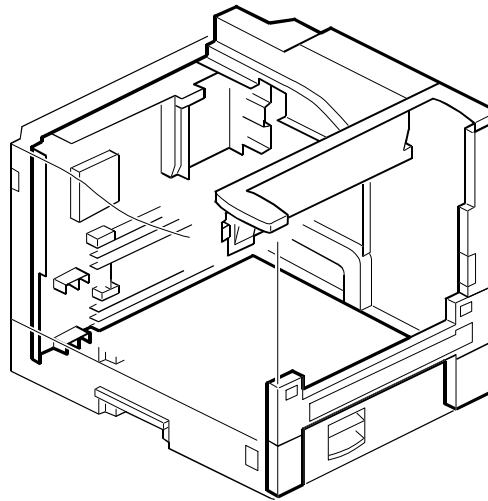
## LOCATIONS OF UNITS

1. EXTERIOR 1 (G062)



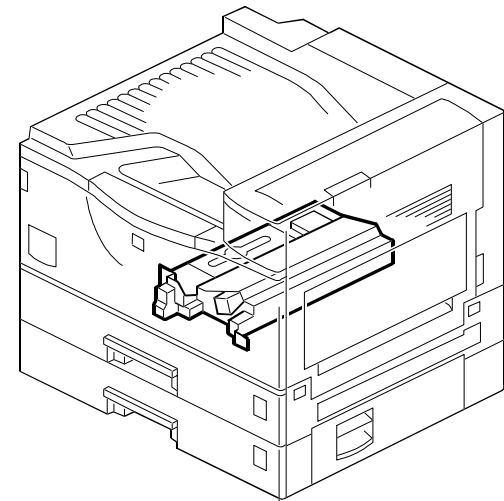
See Page 7

2. EXTERIOR 2 (G062)



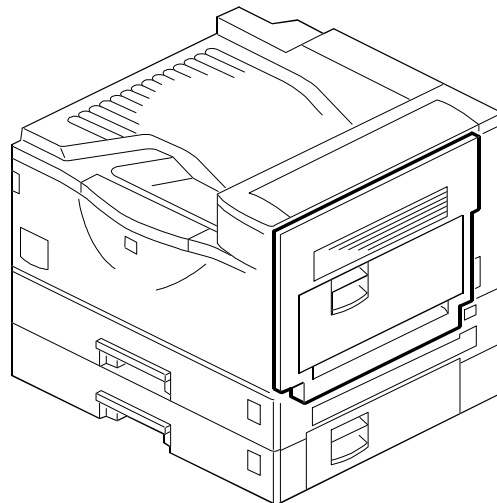
See Page 9

3. LASER UNIT (G062)



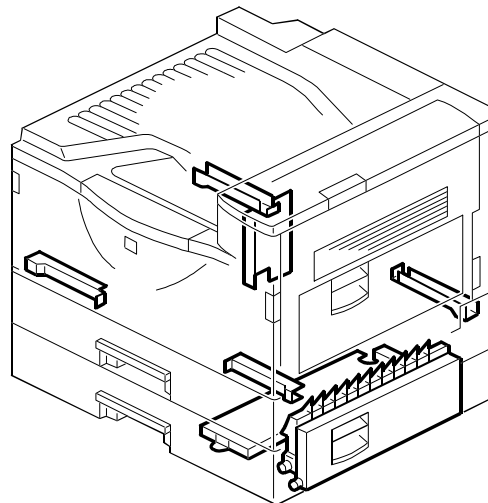
See Page 11

4. TRANSFER UNIT (G062)



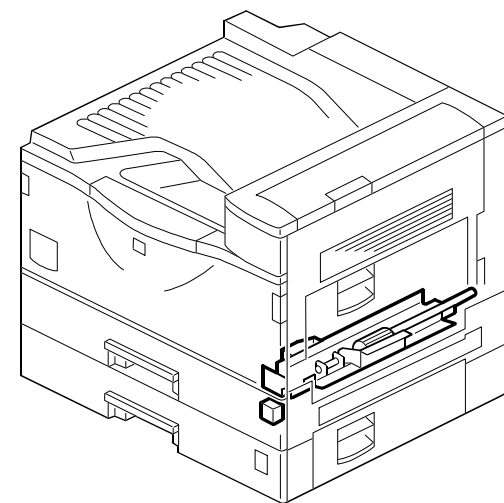
See Page 13

5. PAPER FEED SECTION 1 (G062)



See Page 15

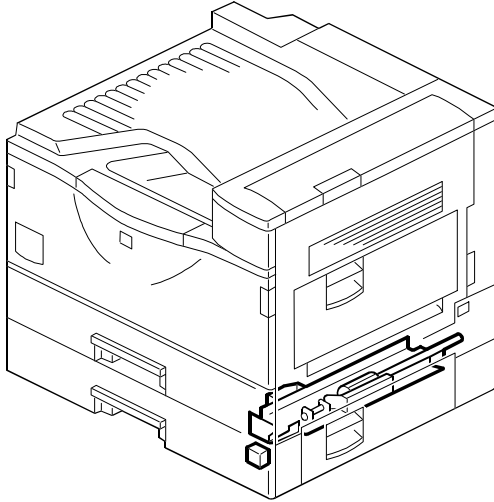
6. PAPER FEED SECTION 2 (G062)



See Page 17

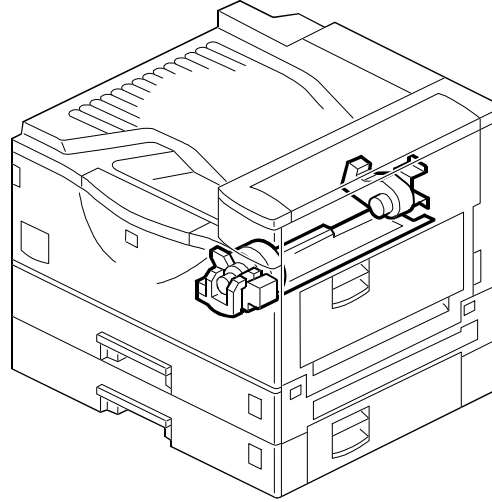
## LOCATIONS OF UNITS

7. PAPER FEED SECTION 3 (G062)



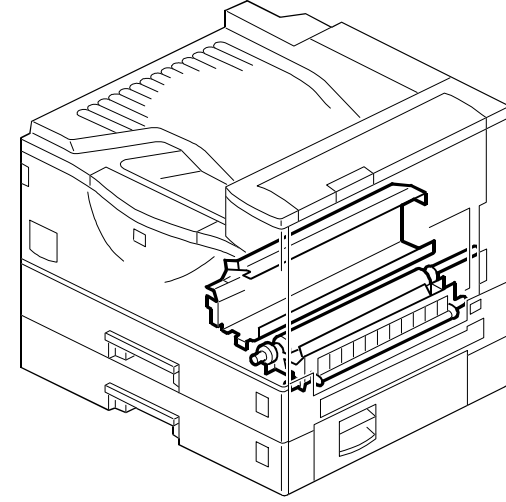
See Page 19

8. TONER HOPPER UNIT (G062)



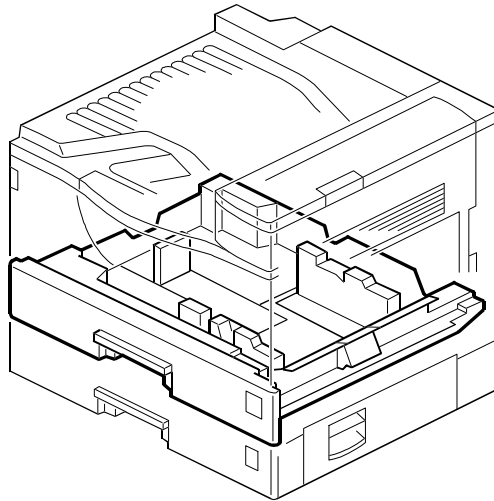
See Page 21

9. PAPER REGISTRATION (G062)



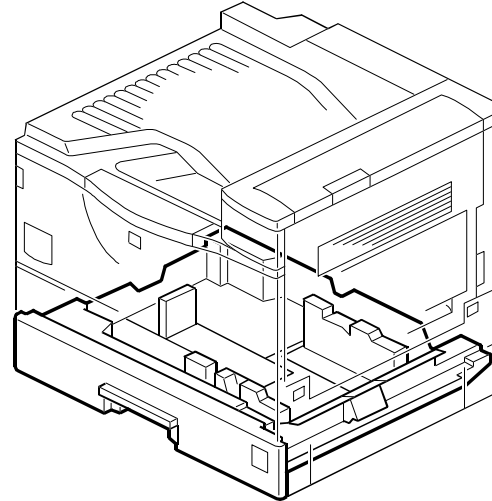
See Page 23

10. PAPER TRAY 1 (G062)



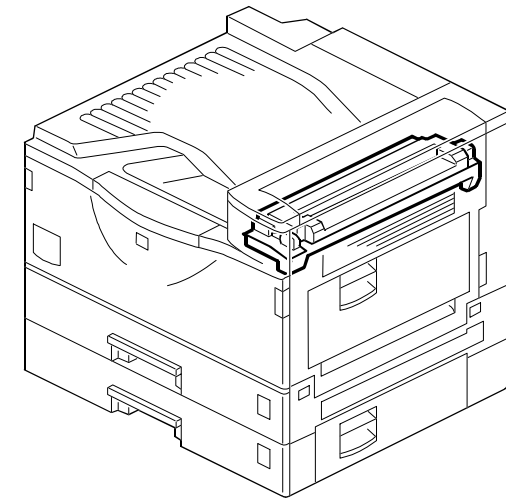
See Page 25

11. PAPER TRAY 2 (G062)



See Page 27

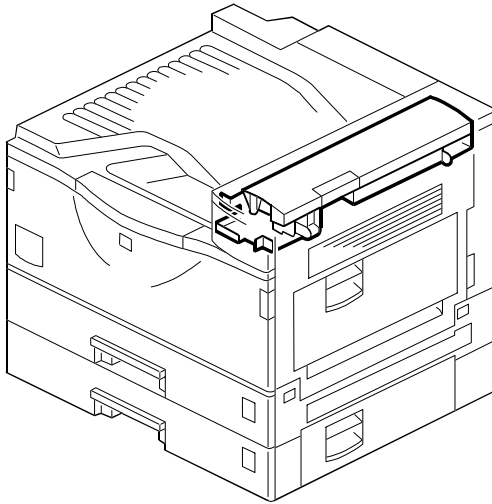
12. FUSING UNIT 1 (G062)



See Page 29

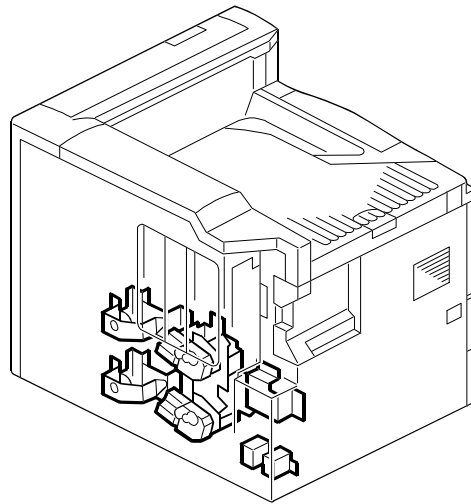
## LOCATIONS OF UNITS

13. FUSING UNIT 2 (G062)



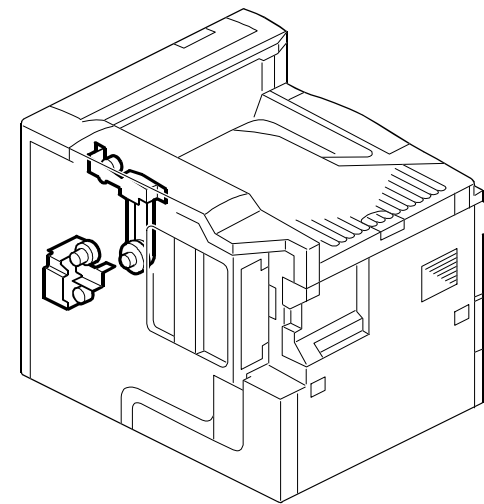
See Page 31

14. PAPER EXIT (G062)



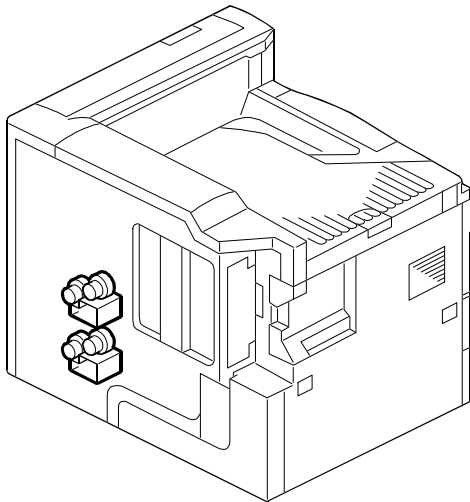
See Page 33

15. DRIVE SECTION 1 (G062)



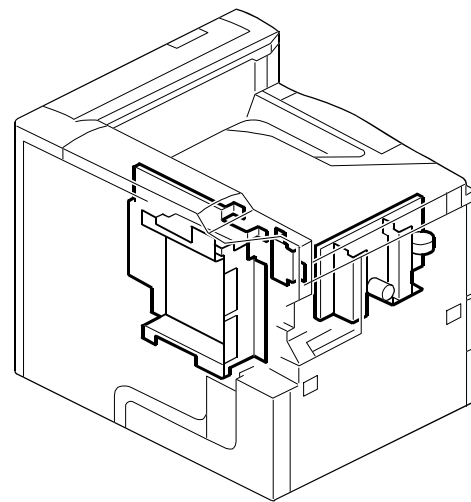
See Page 35

16. DRIVE SECTION 2 (G062)



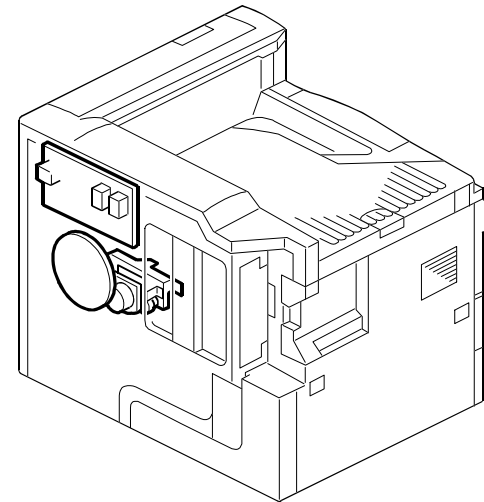
See Page 37

17. DRIVE SECTION 3 (G062)



See Page 39

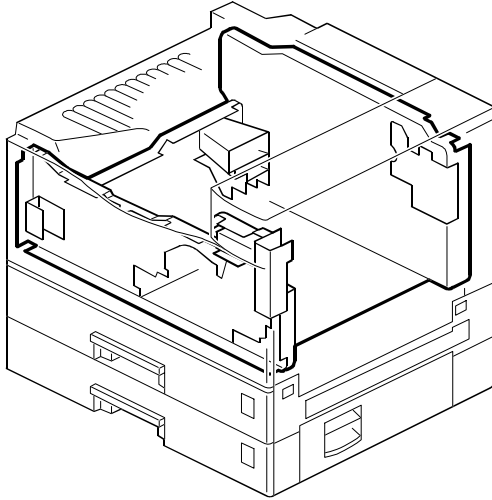
18. ELECTRICAL SECTION 1 (G062)



See Page 41

## LOCATIONS OF UNITS

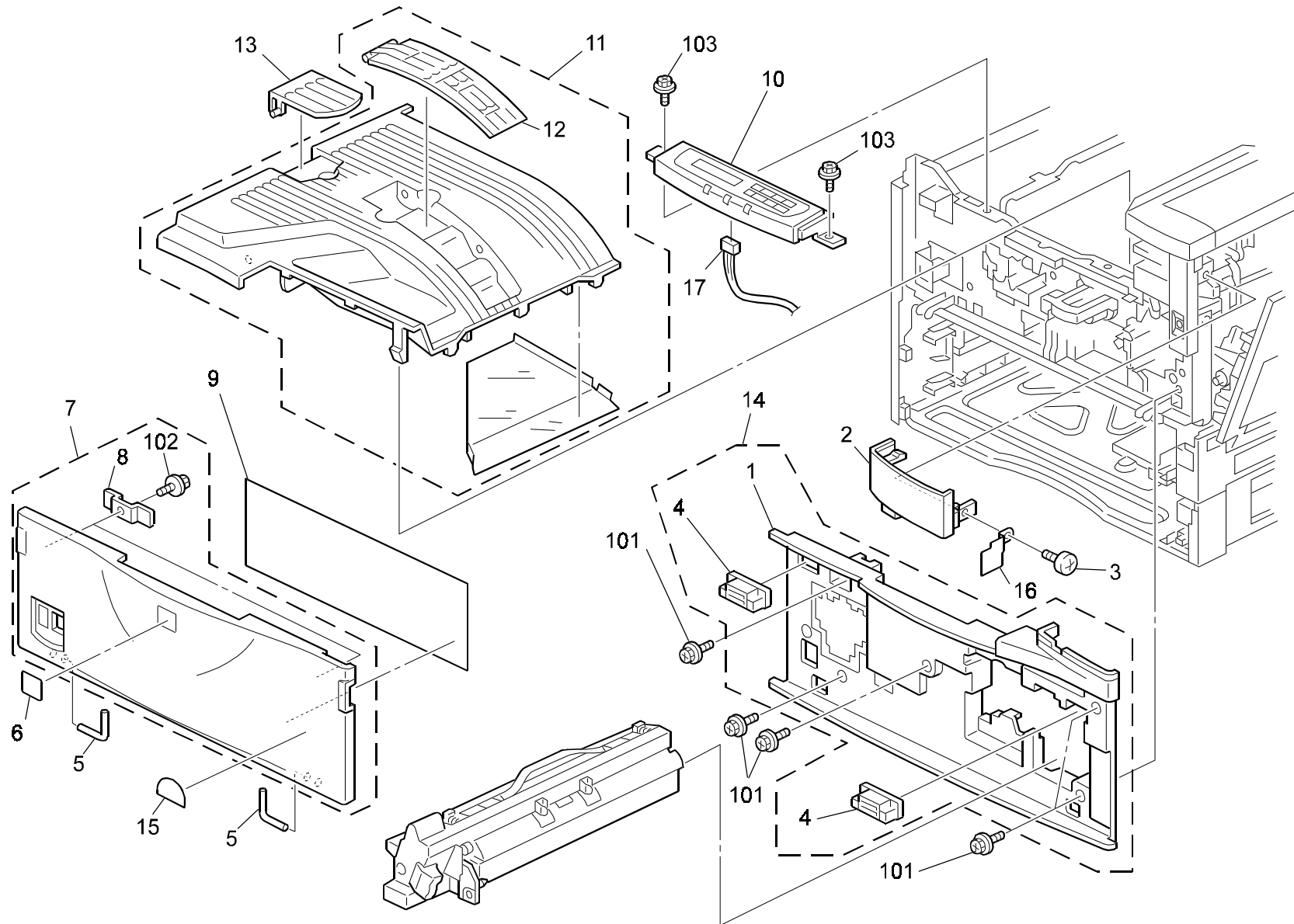
19. ELECTRICAL SECTION 2 (G062)



See Page 43



# 1.EXTERIOR 1 (G062)

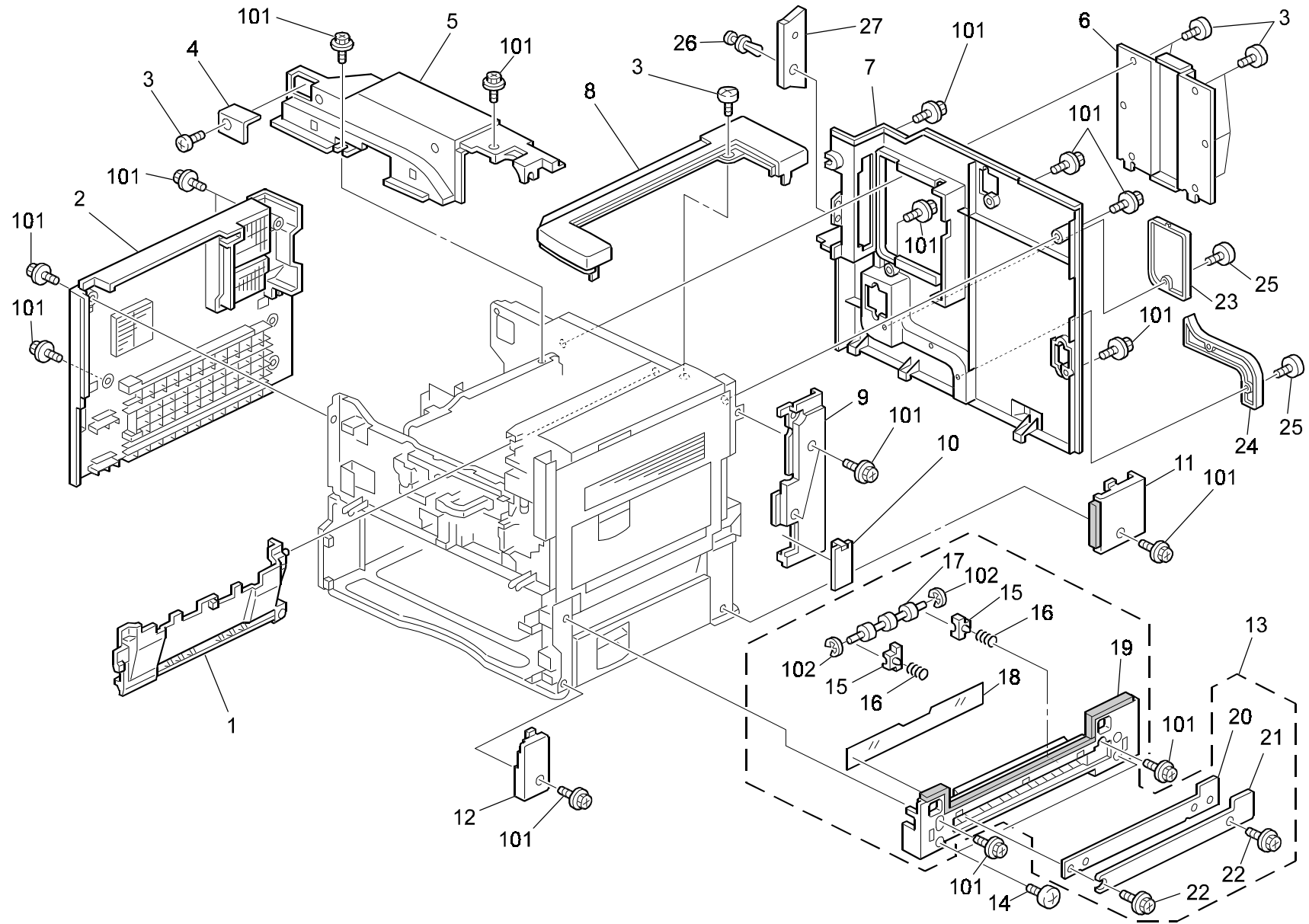


## 1.EXTERIOR 1 (G062)

Index No.	Part No.	Description	Q'ty Per Assembly
1	A267 1321	Inner Cover	1
2	G038 1320	Upper Right Front Cover	1
3	G020 1391	Screw - M3x4.5	1
4	AG07 1011	Magnet Catch	2
5	G020 1332	Hinge - Front Cover	2
6	A134 1383	Emblem (RIC)	1
6	A217 7905	Support Cover (INF)	1
7	G062 7051	Front Door Ass'y - P2 - RIC	1
7	G038 7295	Front Door Ass'y - NRG	1
7	G038 7296	Front Door Ass'y - SVN/GES	1
7	G062 7111	Front Door Ass'y - P2 - INF	1
8	A267 1264	Magnet Catch - Front Cover	2
9	G038 1268	Operation Instruction Sheet	1
10	G038 7152	Operation Panel Ass'y (NA)	1
10	G038 7172	Operation Panel Ass'y (EUR)	1
11	A267 1340	Upper Rear Cover - Scanner Unit	1
12	A267 1348	Paper Support Cover	1
13	A267 1343	Sub Paper Tray	1
14	G038 1235	Front Cover Ass'y	1
15	AA00 1389	Large Decal - Energy Star	1
16	G062 1323	Sheet - Screw - Plate	1
17	G062 5320	Harness - Operation Panel - RP2	1

Index No.	Part No.	Description	Q'ty Per Assembly
101	0451 3008H	Tapping Screw - 3x8	
102	0450 3008B	Tapping Screw - M3x8	
103	0451 3008B	Tapping Screw - M3x8	

## 2.EXTERIOR 2 (G062)



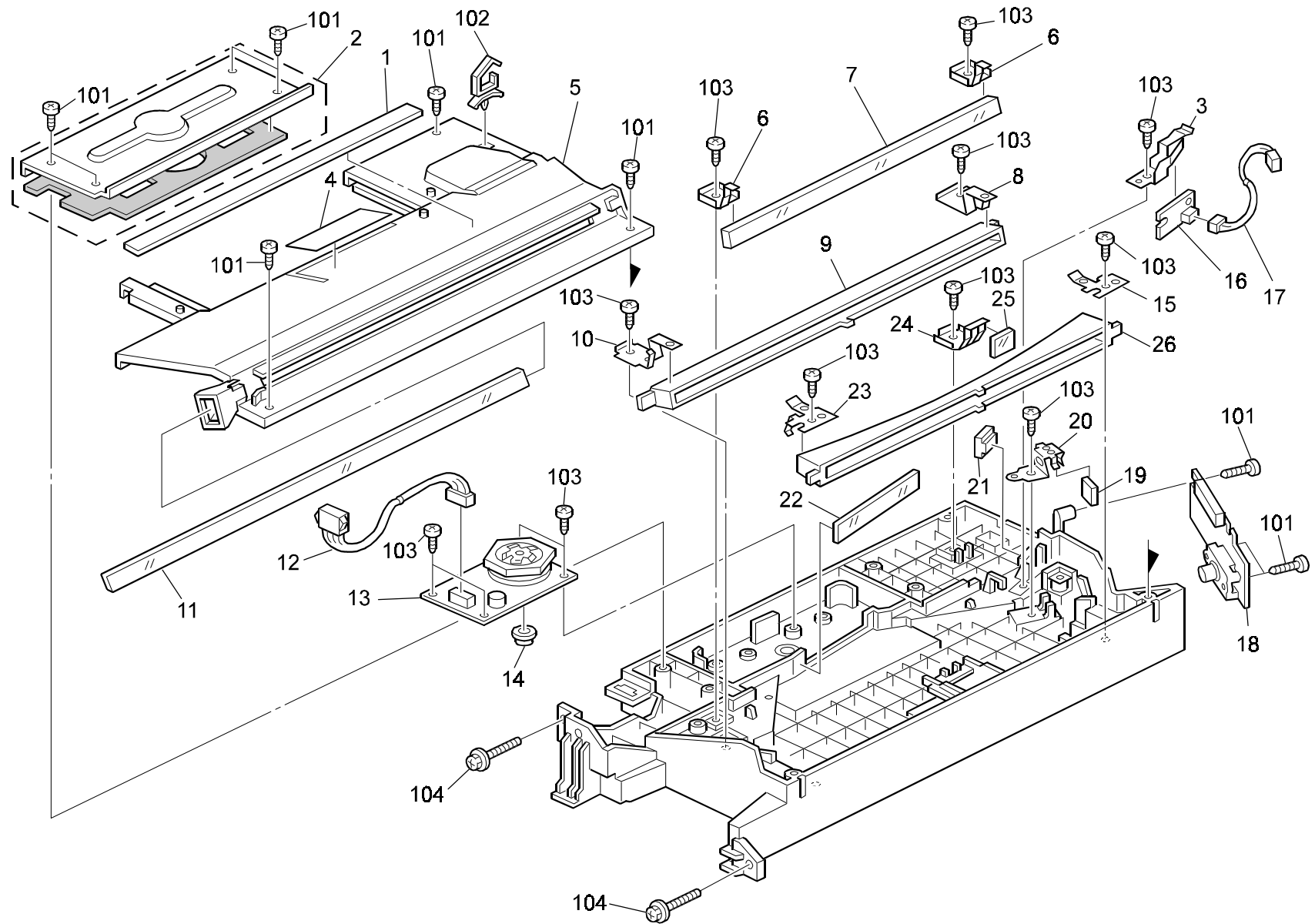
## 2.EXTERIOR 2 (G062)

Index No.	Part No.	Description	Q'ty Per Assembly
1	A267 1345	Paper Exit Cover	1
2	G062 1281	Left Cover	1
3	G020 1391	Screw - M3x4.5	8
4	G038 1378	Joint Cap	1
5	G062 1304	Rear Paper Exit Cover	1
6	G038 1294	Rear Cover	1
7	G062 1290	Cover - Rear	1
8	G038 1303	Upper Paper Exit Cover	1
9	G038 1270	Right Rear Cover	1
10	A267 1370	Cap - Duplex	1
11	A267 2717	Right Rear Lower Cover	1
12	A267 2716	Right Front Lower Cover	1
13	A267 2727	Middle Right Cover	1
14	A548 6121	Screw - M4	1
15	AA08 0249	Bushing - Vertical Transport	2
16	AA06 3334	Spring - Vertical Transport	2
17	A267 2715	Driven Roller - Vertical Transport	1
18	A267 2709	Guide Mylar	1
19	A267 2705	Middle Right Cover	1
20	A267 2710	Stay - Cap	1
21	A267 2708	Cap - Bypass Feed	1
22	A267 2713	Hexagonal Set Screw - M3X8	2
23	G038 1296	Rear Cap Cover - Large	1
24	G038 1297	Rear Cap Cover - Small	1
25	G038 1299	Rivet - 5	3
26	A250 1374	Rivet - M14	1
27	G062 1292	Cover - IC Card	1
28	AA00 0542	Decal - Laser Class 1	1



Index No.	Part No.	Description	Q'ty Per Assembly
101	0451 3008H	Tapping Screw - 3x8	
102	0720 0040E	Retaining Ring - M4	

### 3.LASER UNIT (G062)



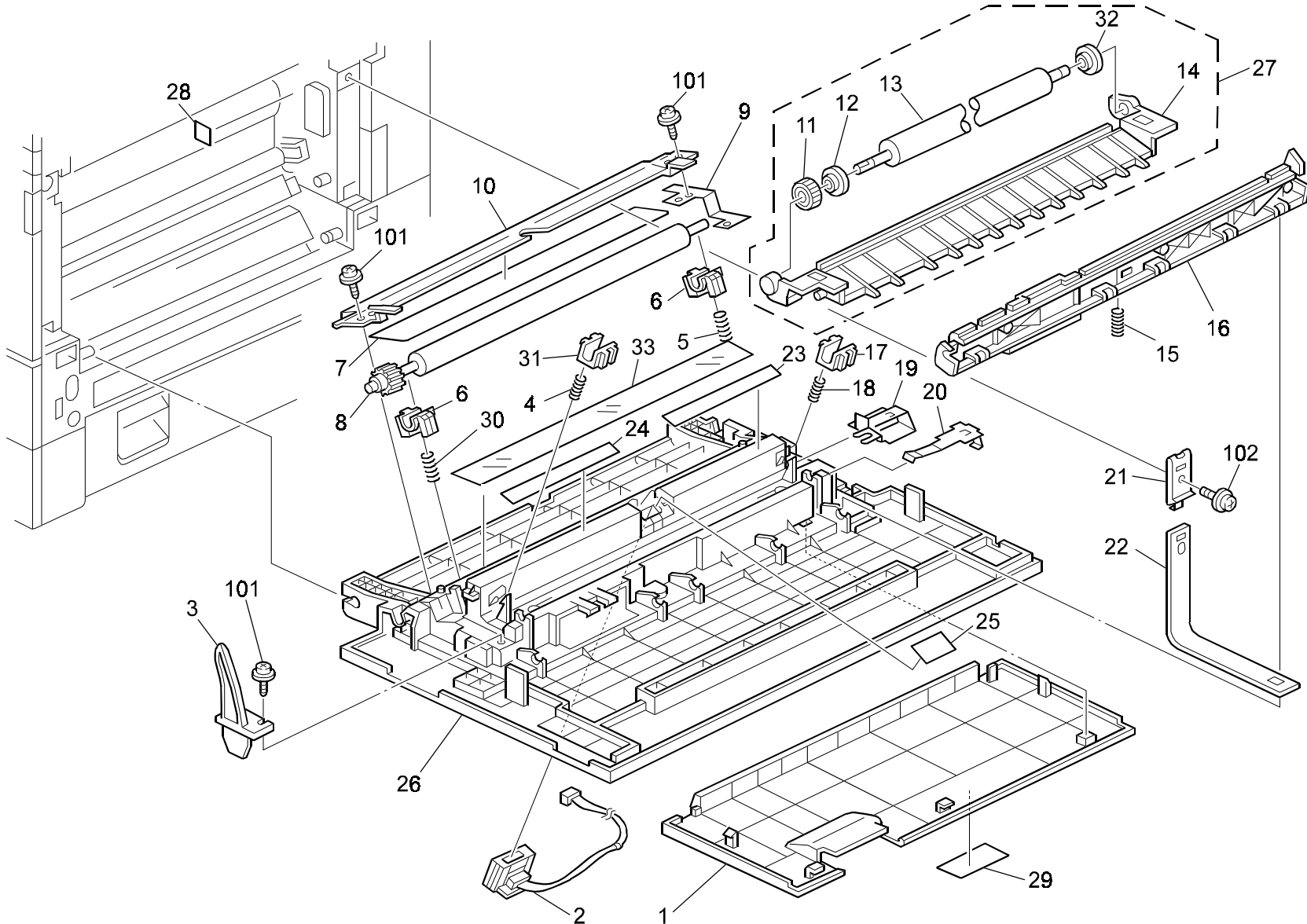
### 3.LASER UNIT (G062)

Index No.	Part No.	Description	Q'ty Per Assembly
*	G062 1900	Optical Unit Ass'y	1
1	A232 1971	Support Cover - Imaging Unit	1
2	A267 1917	Cover - Polygon Motor	1
3	A267 1944	Plate - Sync.Detector Board	1
4	G029 1980	Decal - LD	1
5	A267 1938	Cover - Laser Unit	1
6	A267 1942	Mirror Holder	2
7	AC01 0005	Mirror	1
8	A267 1941	Rear Holder - BTL	1
9	G020 1969	BTL Lens	1
10	A267 1940	Front Holder - BTL	1
11	AC03 0077	Shield Glass	1
12	A267 5224	Harness - Polygon Mirror Motor	1
13	AX06 0198	Polygon Scanner - MAT	1
14	A232 1916	Collar - Polygon Motor	1
15	A232 1922	Rear Holder - F Theta Mirror	1
16	A232 5310	Laser Sync. Detector	1
17	A267 5222	Harness - Sync.Detector	1
18	G062 1915	Laser Diode Unit Ass'y	1
19	G020 1966	Cylindrical Lens	1
20	A232 1927	Cylindrical Lens Holder	1
21	G029 1975	Cylindrical Lens	1
22	G020 1937	Shield Glass - Polygon Morror Motor	1
23	A232 1921	Front Holder - F Theta Mirror	1
24	A267 1933	Mirror Holder - Sync.Detector	1
25	G020 1911	Sync Detector Mirror	1
26	G020 1968	F Theta Mirror	1



Index No.	Part No.	Description	Q'ty Per Assembly
101	0452 3010B	Tapping Bind Screw - M3x10	
102	1105 0487	Harness Clamp	
103	0452 3008B	Tapping Screw - M3x8	
104	0451 3008B	Tapping Screw - M3x8	

# 4.TRANSFER UNIT (G062)



#### 4.TRANSFER UNIT (G062)

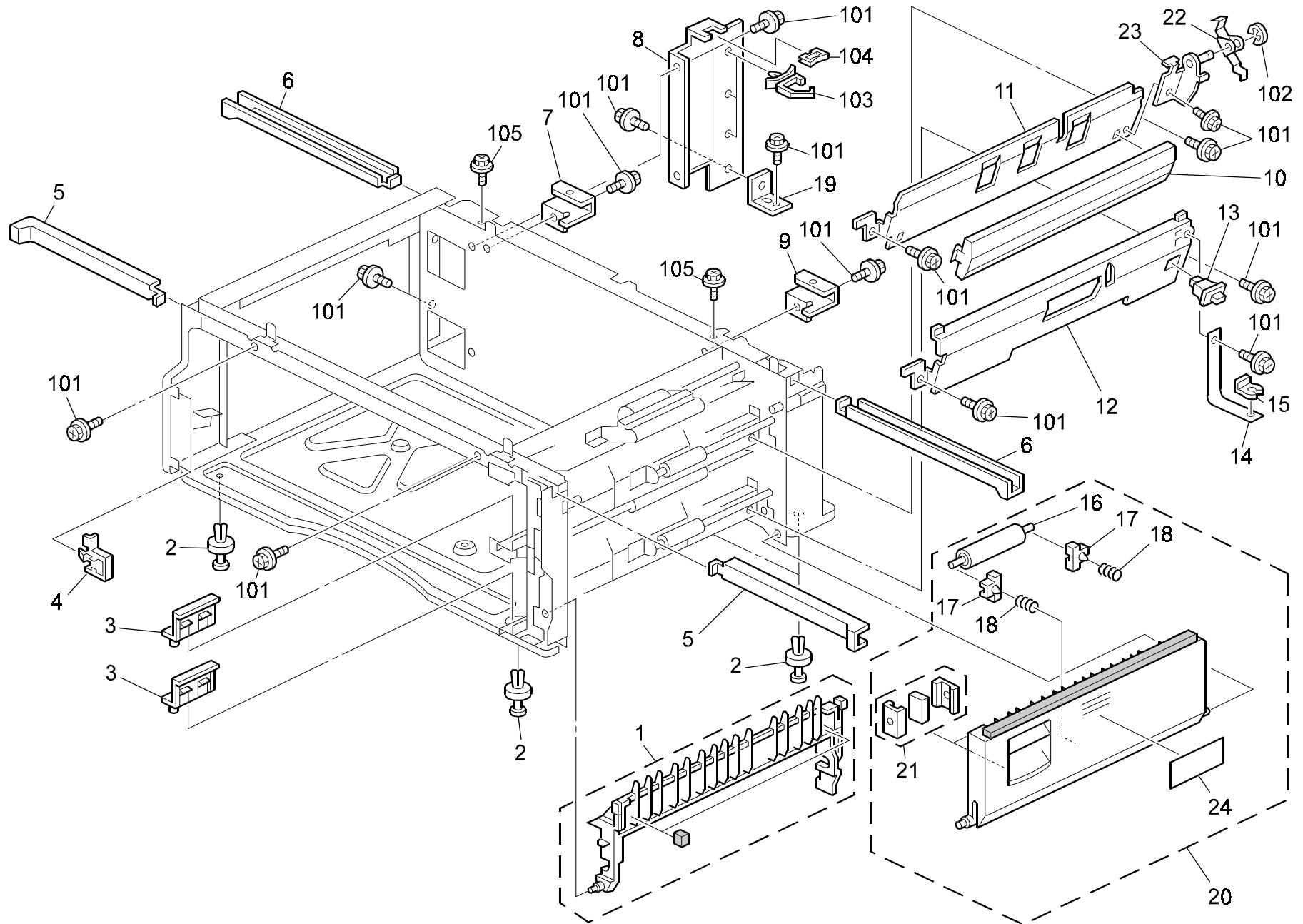
Index No.	Part No.	Description	Q'ty Per Assembly
1	A267 3857	Right Cover	1
2	A267 9007	ID Sensor	1
3	A267 3931	Shutter Lever	1
4	AA06 3599	Pressure Spring	1
5	AA06 3395	Pressure Spring Rear	1
6	A267 2685	Bushing - Driven Roller	2
7	A267 2712	Cleaner - Regist Driven Roller	1
8	AF02 1066	Registration Driven Roller - RP2	1
9	A267 3921	Grounding Terminal	1
10	A267 2711	Right Guide Plate - Regist Roller	1
11	AB01 0351	Drive Gear - Transfer Roller	1
12	A267 3885	Front Positioning Roller	2
13	A267 3883	Transfer Roller	1
14	G038 3890	Separation Unit	1
15	AA06 3598	Pressure Spring	1
16	A267 3871	Lever - Transfer/Separation Unit	1
17	AA08 0250	Rear Bushing - Transfer Roller	1
18	AA06 3607	Pressure Spring	1
19	A267 3861	Terminal - Transfer Roller	1
20	A267 3862	Terminal - Separation	1
21	A232 3962	Spring Plate - Band Stopper	1
22	A267 3941	Band - Vertical Transport Cover	1
23	AA15 0708	Front Discharge Sheet	1
24	AA15 0709	Rear Discharge Sheet	1
25	A267 3905	Cover - ID Sensor	1
26	A267 3855	Cover - Transfer Unit	1
27	<b>G038 3831</b>	<b>Transfer/Separation Unit</b>	<b>1</b>
28	5214 4975	Decal - High Voltage	1
29	A267 3858	Decal - Right Cover	1
30	AA06 3394	Pressure Spring	2
31	AA08 0256	Front Bushing - Transfer Roller	2
32	A267 3886	Rear Positioning Roller	1
33	A267 2744	Guide Mylar	1

Index No.	Part No.	Description	Q'ty Per Assembly
101	0450 3008B	Tapping Screw - M3x8	
102	0451 3006B	Tapping Screw - M3x6	





# 5.PAPER FEED SECTION 1 (G062)



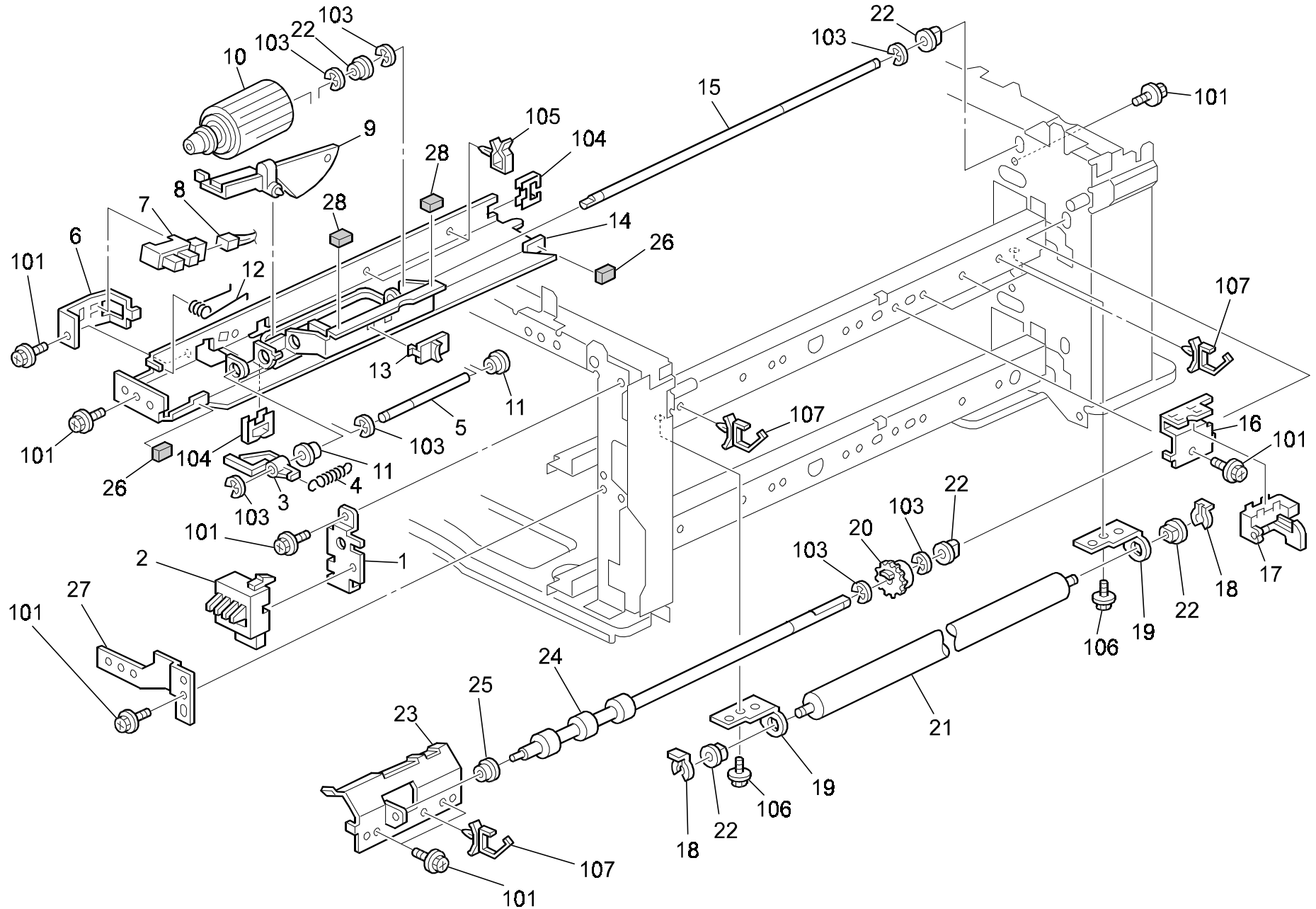
## 5.PAPER FEED SECTION 1 (G062)

Index No.	Part No.	Description	Q'ty Per Assembly
1	A267 2724	Lower Paper Guide Plate	1
2	AH01 0009	Rubber Pad - H5	4
3	A267 2588	Shoe - Right Rail	2
4	A267 2589	Shoe - Supporter	2
5	A267 2564	Front Grip Plate	2
6	A267 2567	Rear Grip Plate	2
7	A267 2576	Left Bracket - Grip Plate	1
8	G038 2595	Separation Plate - Heater	1
9	A267 2573	Right Bracket - Grip Plate	1
10	A267 2736	Vertical Transport Guide	1
11	A267 2733	Upper Guide - Vertical Transport	1
12	A267 2732	Lower Guide - Vertical Transport	1
13	G020 5626	Push Switch	1
14	A267 2740	Stopper Band	1
15	5206 2686	Snap Ring	1
16	AF02 2118	Pull Out Roller - Option Tray	1
17	AA08 0249	Bushing - Vertical Transport	2
18	AA06 3334	Spring - Vertical Transport	2
19	G038 2580	Protect Base Bracket	1
20	A267 2728	Cover - Vertical Transport	1
21	AG07 0014	Magnet Catch	1
22	A267 2680	Spring Plate - Roller Clutch	1
23	A267 2677	Roller Clutch Bracket	1
24	A267 2737	Decal - Right Cover	1



Index No.	Part No.	Description	Q'ty Per Assembly
101	0451 3006B	Tapping Screw - M3x6	
102	0720 0030E	Retaining Ring - M3	
103	1105 0460	Clamp	
104	1105 0329	Clamp - ES-0510	
105	0451 4008B	Philips Tapping Screw - M4x8	

# 6.PAPER FEED SECTION 2 (G062)



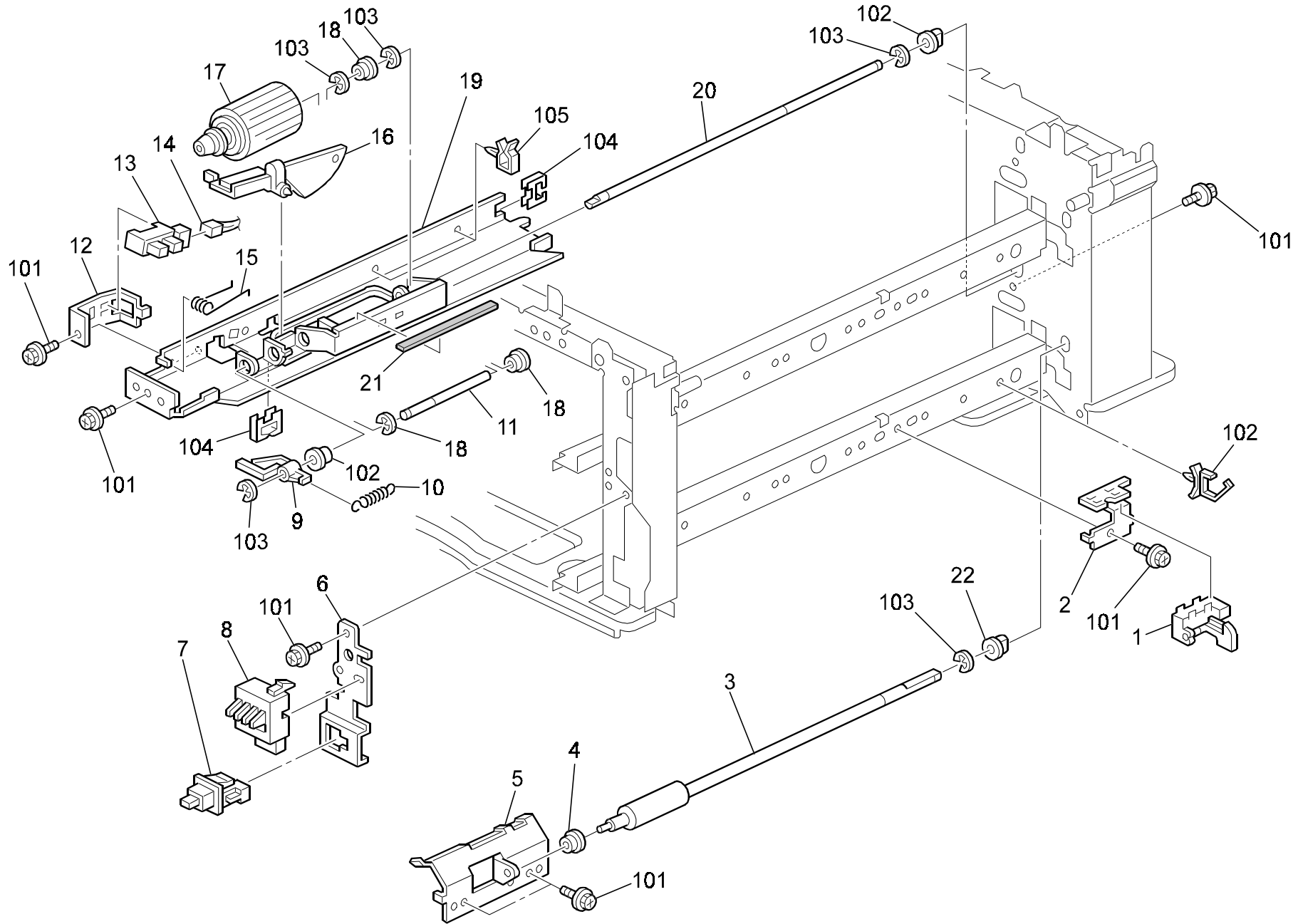
## 6.PAPER FEED SECTION 2 (G062)

Index No.	Part No.	Description	Q'ty Per Assembly
1	A267 2873	Bracket - Paper Size Sensor	1
2	G020 2620	Push Switch - Paper Size	1
3	A267 2786	Lock Lever - Feed Roller	1
4	A267 2787	Tension Spring - Lock Lever	1
5	A267 2785	Lock Lever Shaft - Feed Roller	1
6	A267 2805	Bracker - Paper End Sensor	1
7	AW02 0075	Photointerruptor	1
8	A267 5215	Relay Harness - Paper End Sensor	1
9	A267 2803	Feeler - Paper End Sensor	1
<b>10</b>	<b>A267 2751</b>	<b>Paper Feed Roller</b>	<b>1</b>
11	A267 2847	Bushing - Motor Shaft	2
12	A267 2788	Torsion Spring - Lock Lever	1
13	A267 2666	Bushing - Roller Guide	1
14	A267 2800	Guide Plate - Paper Feed Roller	1
15	A267 2754	Shaft - Paper Feed Roller	1
16	A267 2663	Bracket - Photointerruptor	1
17	AW02 0111	Photointerruptor	1
18	H521 3355	C Ring - Paper Feed Roller	2
19	A267 2577	Roller Guide Bracket 2	2
20	A267 2681	Roller Clutch - Vertical Transport	1
21	A267 2665	Upper Roller Guide	1
22	H521 3356	Bushing - Paper Feed Roller	3
23	A267 2828	Guide Plate - Pressure Release	1
24	AF02 0523	Driven Roller - RP2	1
25	AA08 0252	Bushing - M4	1
26	AA16 1143	Cushion - Link	2
27	A267 2587	Guide Plate	1
28	A267 2813	Cushion - Guide Plate	2



Index No.	Part No.	Description	Q'ty Per Assembly
101	0451 3006B	Tapping Screw - M3x6	
102	0451 3030B	Tapping Screw - 3x30	
103	0720 0040E	Retaining Ring - M4	
104	1105 0329	Clamp - ES-0510	
105	1105 0283	Clamp	
106	0951 3004B	Philps Screw With Flat Washer - M3x4	
107	1105 0501	Harness Clamp - RLMC-05TV0	

# 7.PAPER FEED SECTION 3 (G062)



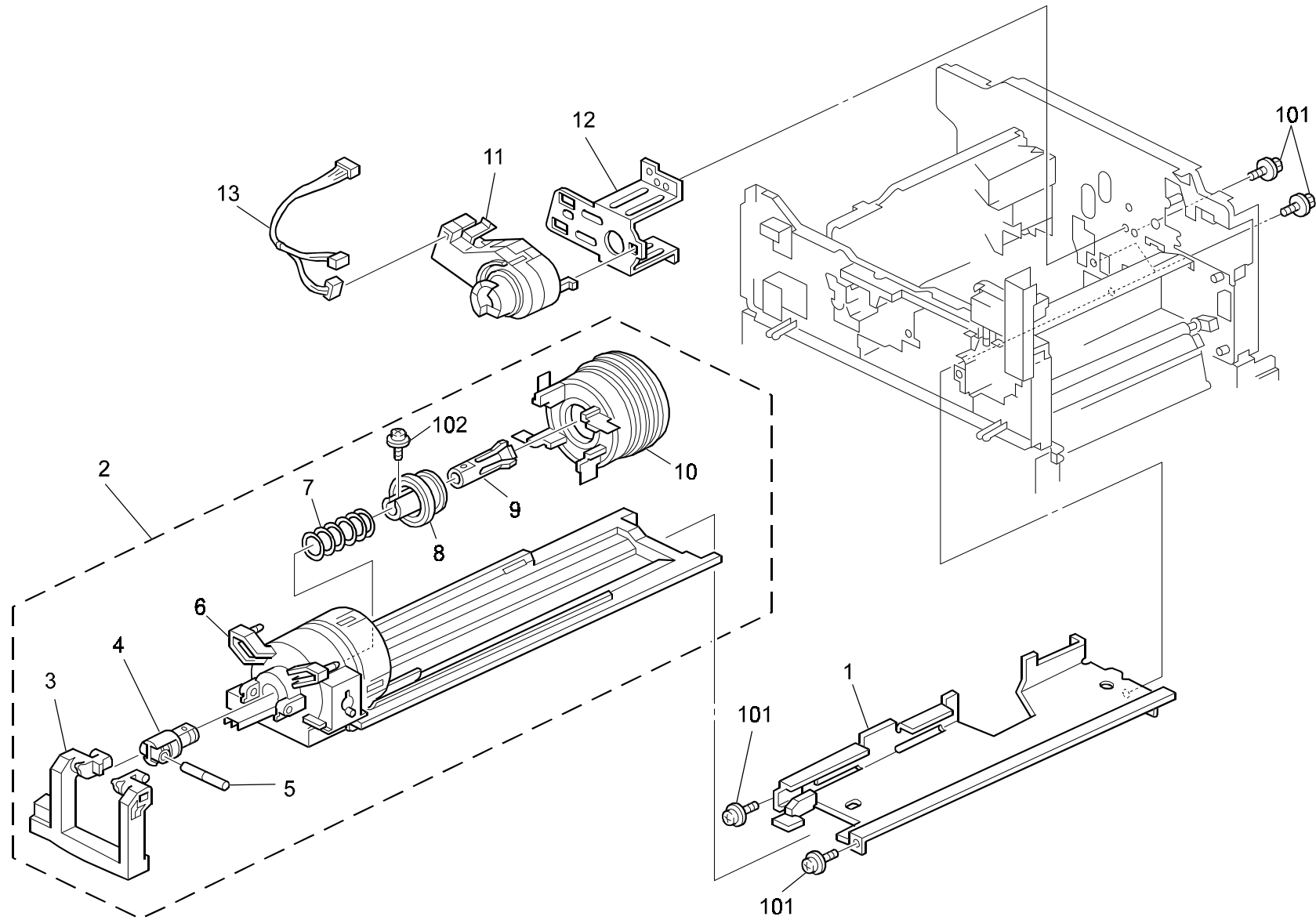
## 7.PAPER FEED SECTION 3 (G062)

Index No.	Part No.	Description	Q'ty Per Assembly
1	AW02 0111	Photointerruptor	1
2	A267 2660	Bracket - Photointerruptor	1
3	AF02 0522	Roller-vertical Transport - RP2	1
4	AA08 0252	Bushing - M4	1
5	A267 2842	Guide Plate - Pressure Release	1
6	A267 2882	Sensor Bracket - Special Paper	1
7	AW50 0022	Push Switch	1
8	G020 2620	Push Switch - Paper Size	1
9	A267 2786	Lock Lever - Feed Roller	1
10	A267 2787	Tension Spring - Lock Lever	1
11	A267 2785	Lock Lever Shaft - Feed Roller	1
12	A267 2805	Bracker - Paper End Sensor	1
13	AW02 0075	Photointerruptor	1
14	A267 5215	Relay Harness - Paper End Sensor	1
15	A267 2788	Torsion Spring - Lock Lever	1
16	A267 2803	Feeler - Paper End Sensor	1
17	<b>A267 2751</b>	<b>Paper Feed Roller</b>	<b>1</b>
18	A267 2847	Bushing - Motor Shaft	2
19	A267 2808	Lower Guide Plate - Paper Feedroller	1
20	A267 2754	Shaft - Paper Feed Roller	1
21	A267 2814	Cushion - Guide Plate 2	1
22	H521 3356	Bushing - Paper Feed Roller	1



Index No.	Part No.	Description	Q'ty Per Assembly
101	0451 3006B	Tapping Screw - M3x6	
102	1105 0501	Harness Clamp - RLMC-05TV0	
103	0720 0040E	Retaining Ring - M4	
104	1105 0329	Clamp - ES-0510	
105	1105 0283	Clamp	

# 8.TONER HOPPER UNIT (G062)



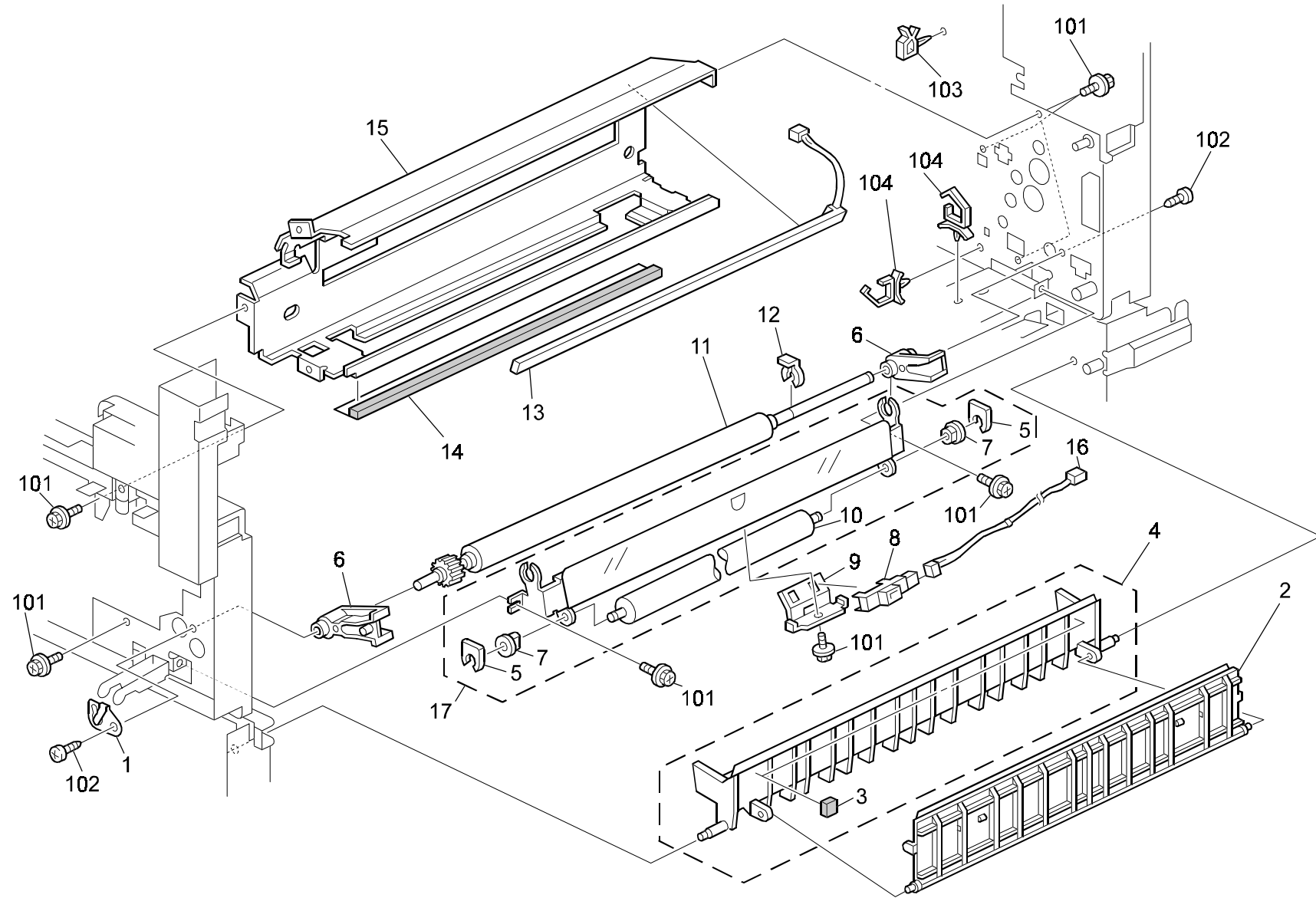
## 8.TONER HOPPER UNIT (G062)

Index No.	Part No.	Description	Q'ty Per Assembly
1	A267 1054	Guide Plate - Toner Supply Unit	1
2	A267 3500	Toner Supply Unit Ass'y (RIC 120V)	1
2	G038 3500	Toner Supply Unit (SVN/NRG/INF)	1
3	A267 3605	Cam - Handle	1
4	A184 3421	Chuck Shaft	1
5	A184 3422	Toner Slider	1
6	A267 3550	Case - Toner Supply Ass'y	1
7	A184 3411	Chuck Spring	1
8	G020 3334	Slider Ass`y	1
9	A184 3420	Bottle Chuck	1
10	A267 3560	Cover - Toner Supply Unit (RIC)	1
10	G038 3560	Cover - Toner Supply Unit (SVN/NRG/INF)	1
11	AX05 0140	Toner Bottle Motor - DC 2.6W	1
12	A267 7440	Bracket - Toner Supply Motor (RIC/BRZ)	1
12	A267 3611	Bracket - Toner Supply Motor (OEM)	1
13	G038 5205	Toner Bottle Harness	1

Index No.	Part No.	Description	Q'ty Per Assembly
101	0451 3006B	Tapping Screw - M3x6	
102	0452 3008B	Tapping Screw - M3x8	



## 9.PAPER REGISTRATION (G062)

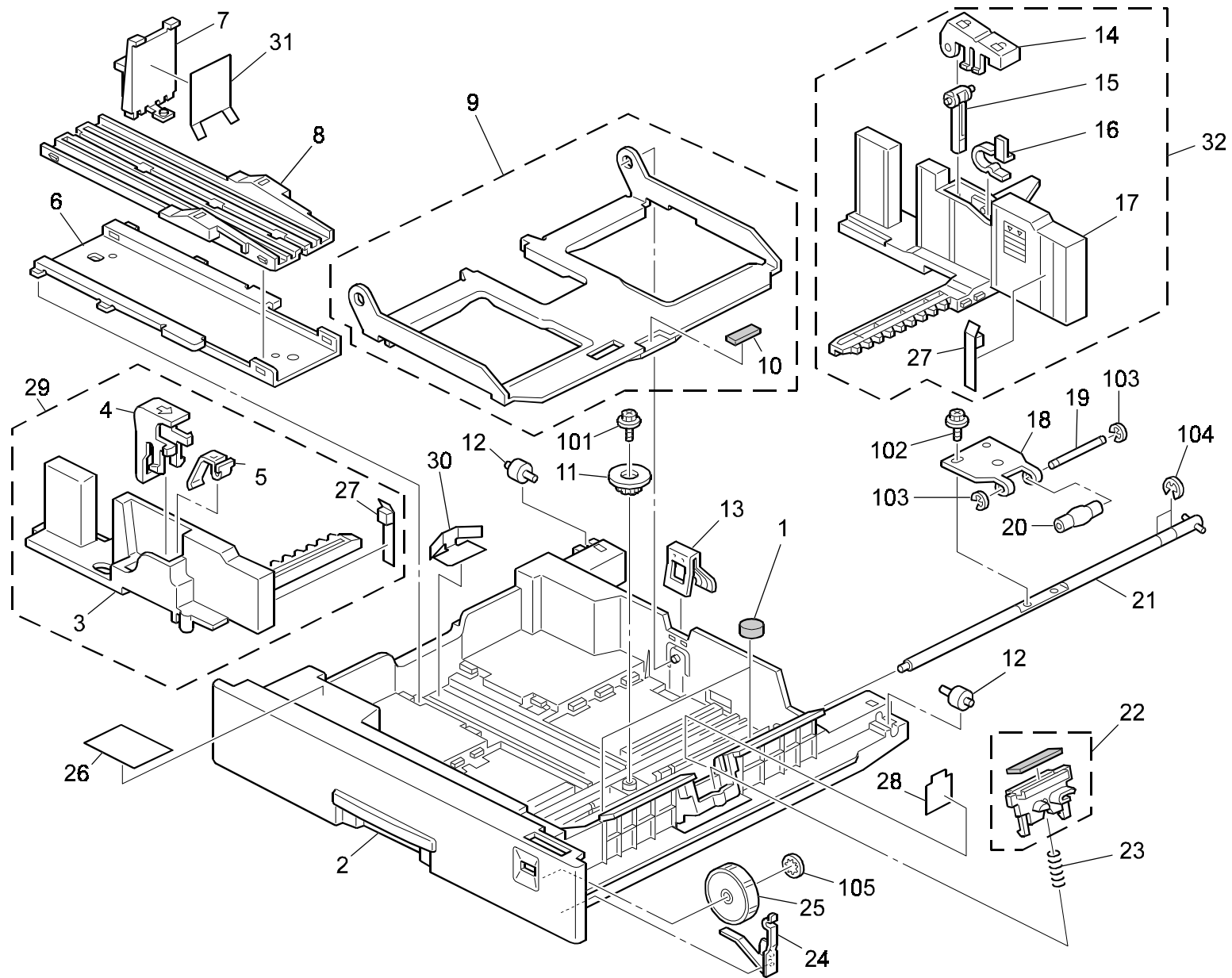


## 9.PAPER REGISTRATION (G062)

Index No.	Part No.	Description	Q'ty Per Assembly
1	A267 2695	Grounding Plate - Regist Roller	1
2	A267 2722	Sub Guide Plate - Upper Entrance	1
3	AA16 1143	Cushion - Link	2
4	A267 2721	Upper Entrance Guide Plate	1
5	G024 3344	Snap Ring M4	2
6	A267 2674	Bushing - Registration Roller	2
7	G024 3344	Snap Ring M4	2
8	AW01 0057	Registration Sensor	1
9	A267 2698	Bracket - Registration Sensor	1
10	A267 2665	Upper Roller Guide	1
11	AF02 0520	Registration Rollerassy - RP 2	1
12	5215 2621	Snap Ring - M6	1
13	G062 3452	Quenching Lamp - RP2	1
14	A267 2700	Registration Roller Cleaner	1
15	A267 1051	PCU Guide Plate	1
16	A267 5237	Relay Harness - Registration Sensor	1
17	A267 2691	Left Guide Plate - Regist Roller	1

Index No.	Part No.	Description	Q'ty Per Assembly
101	0451 3006B	Tapping Screw - M3x6	
102	0452 3008B	Tapping Screw - M3x8	
103	1105 0283	Clamp	
104	1105 0460	Clamp	

# 10.PAPER TRAY 1 (G062)



## 10.PAPER TRAY 1 (G062)

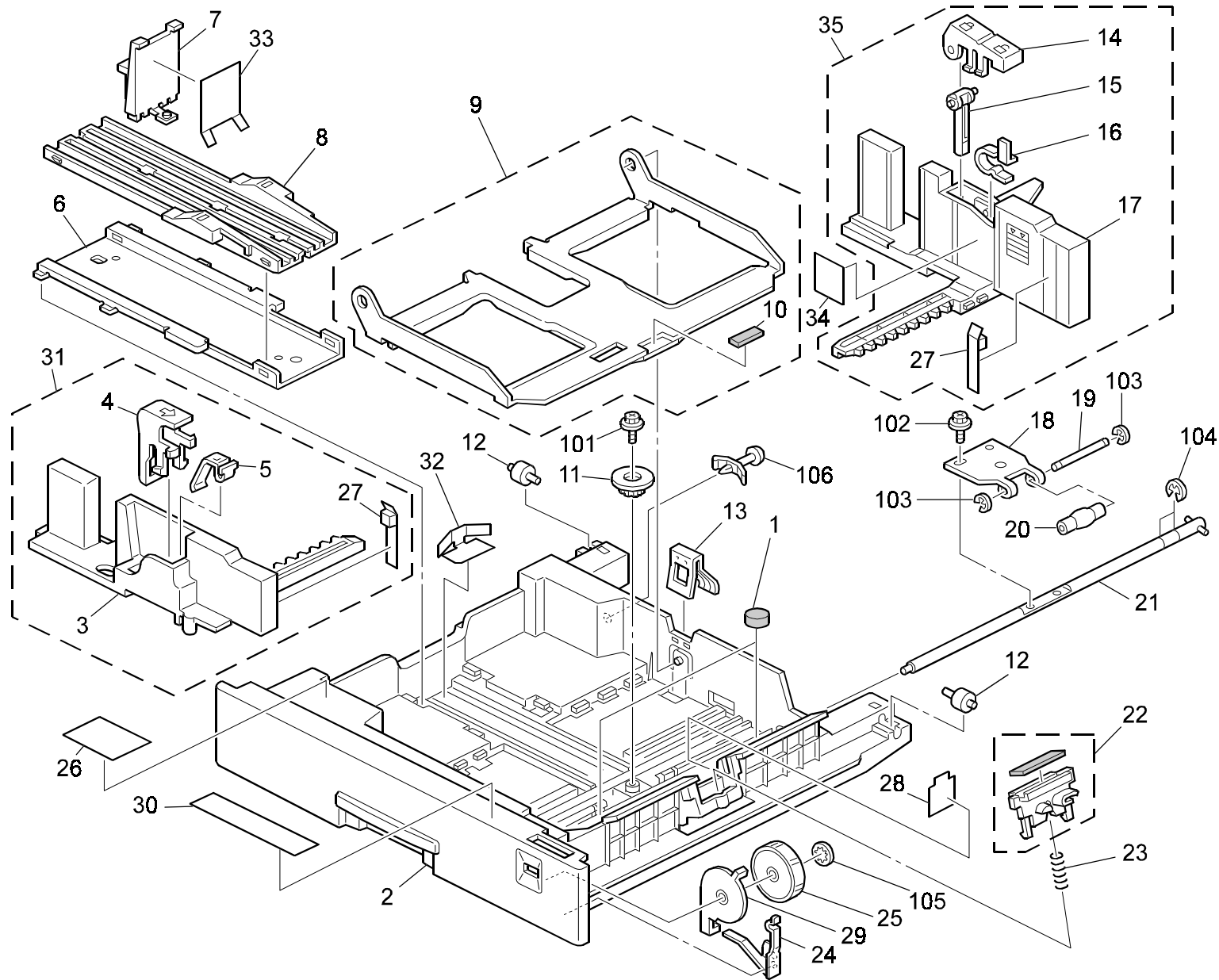
Index No.	Part No.	Description	Q'ty Per Assembly
*	A267 7353	1st Paper Tray Assembly	1
1	A267 2899	Sponge - Paper Feed Tray	2
2	A267 2850	Paper Tray	1
3	A267 2851	Front Side Fence	1
4	A267 2858	Front Stopper Lever	1
5	G697 2677	Spring Plate - Side Fence	1
6	A267 2874	Base Slider	1
7	A267 2853	End Fence	1
8	A267 2866	Upper Slider	1
9	A267 2861	Bottom Plate	1
10	A267 2917	Base Pad	1
11	A267 2869	Gear - 16Z	1
12	A232 2987	Roller - Paper Tray	2
13	A267 2878	Spring Plate - Grounding	1
14	A267 2860	Rear Lever Stopper	1
15	A267 2859	Side Fence Stopper	1
16	A267 2857	Spring Plate - Side Fence	1
17	A267 2852	Rear Side Fence	1
18	A267 2856	Bracket - Rising	1
19	A267 2865	Shaft - Roller	1
20	A267 2864	Roller Bracket	1
21	A267 2854	Shaft - Tray Raising	1
<b>22</b>	<b>A267 2831</b>	<b>Friction Pad</b>	<b>1</b>
23	A267 2834	Pressure Spring - Friction Pad	1
24	A267 2868	Spring Plate	1
25	A267 7343	Paper Size Detector - 1	1
26	A267 2892	Decal - Paper Set Direction	1
27	A267 2897	Shield - Side Fence	2
28	A267 2898	Sheet - Paper Tray Holder	1
29	A267 2884	Front Side Fence	1
30	A267 2875	Spring Plate - Slider	1
31	A267 2900	Seal - End Fence	1
32	A267 2885	Rear Side Fence	1



Index No.	Part No.	Description	Q'ty Per Assembly
101	0450 4008B	Tapping Screw - 4x8	
102	0453 4006B	Tapping Screw - 4x6	
103	0720 0030E	Retaining Ring - M3	
104	0720 0060E	Retaining Ring - M6	
105	0805 0083	Retaining Ring - M4	

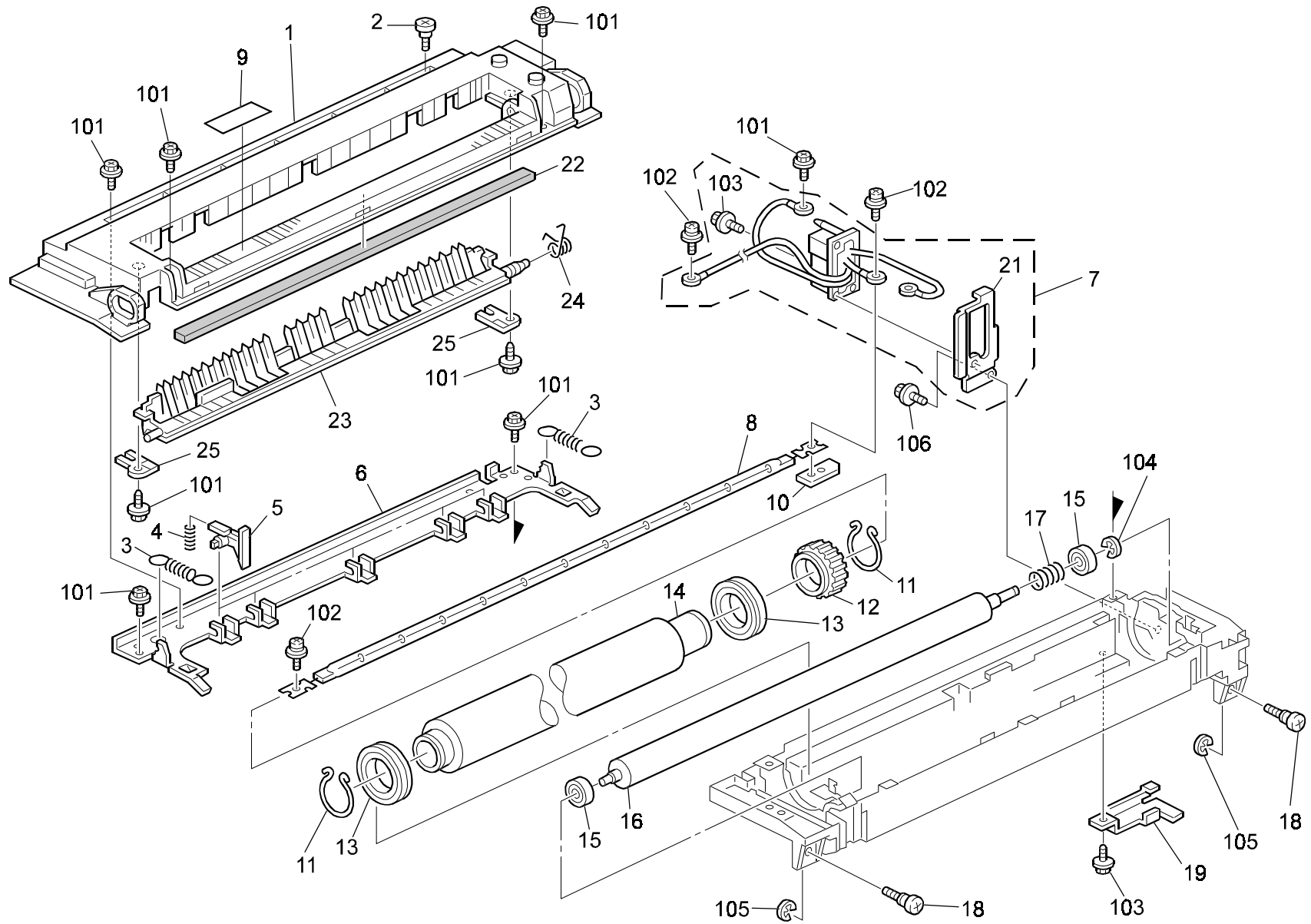


# 11.PAPER TRAY 2 (G062)





# 12.FUSING UNIT 1 (G062)



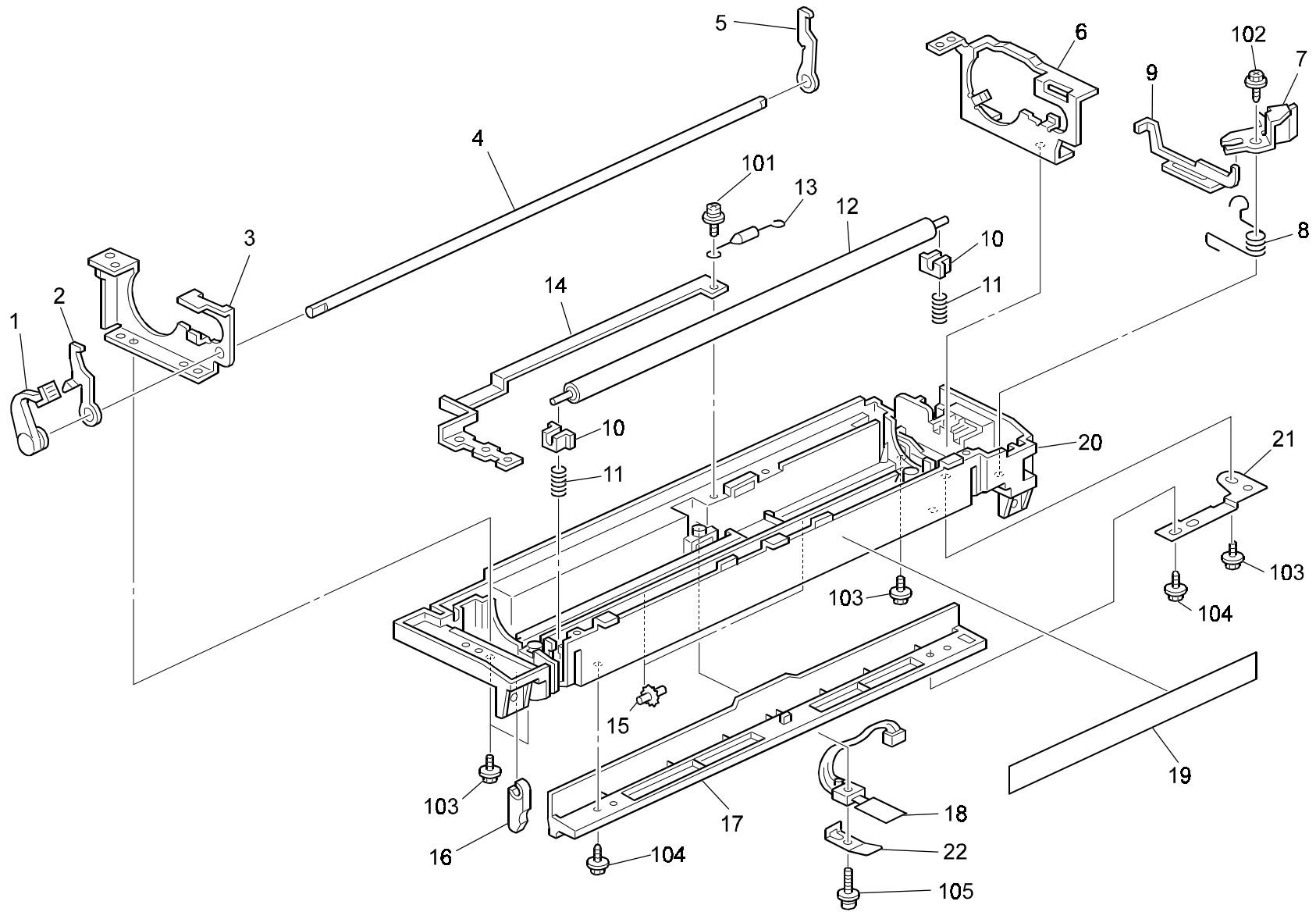
## 12.FUSING UNIT 1 (G062)

Index No.	Part No.	Description	Q'ty Per Assembly
1	A267 4151	Upper Frame - Fusing Unit	1
2	AA14 3219	Stepped Screw	1
3	A267 4114	Tension Spring - Pressure Roller	2
4	A267 4103	Spring - Fusing Stripper	5
5	<b>AE04 4025</b>	<b>Hot Roller Stripper</b>	<b>3</b>
6	A267 4101	Bracket - Fushing Stripper	1
7	G038 7273	Fusing Drawer Ass'y (120V)	1
7	G038 7523	Fusing Drawer Ass'y (230V)	1
8	AX44 0118	Fusing Lamp - 120V 770W	1
8	AX44 0119	Fusing Lamp - 230V 770W	1
9	AA00 0301	Decal - Warning (High Temperatre)	1
10	A267 4092	Terminal Plate - Fusing Lamp	1
11	A267 4056	C Ring - Hot Roller	2
12	AB01 1400	Gear - 48Z	1
13	AE03 0029	Ball Bearing - 30x42x7	2
14	<b>AE01 1048</b>	<b>Hot Roller</b>	<b>1</b>
15	AE03 0030	Ball Bearing - 8x19x6	2
16	<b>AE02 0086</b>	<b>Pressure Roller</b>	<b>1</b>
17	A267 4066	Spring - Hot Roller	1
18	A267 4161	Knob Screw	2
19	A267 4075	Shielding Plate - Harness	1
20	AA00 0303	Decal - Warning (high Temperature)	1
21	G038 4141	Bracket - Fusing Connector	1
22	A267 4159	Upper Guide Shield	1
23	A267 4155	Upper Guide Plate	1
24	A267 4158	Upper Guide Release Spring	1
25	A267 4157	Upper Guide Stopper	2

Index No.	Part No.	Description	Q'ty Per Assembly
101	0451 3006B	Tapping Screw - M3x6	
102	0954 3006B	Screw - M3X6	
103	0450 3010B	Tapping Screw - M3x10	
104	0720 0060E	Retaining Ring - M6	
105	0720 0030E	Retaining Ring - M3	
106	0451 3008B	Tapping Screw - M3x8	



# 13.FUSING UNIT 2 (G062)



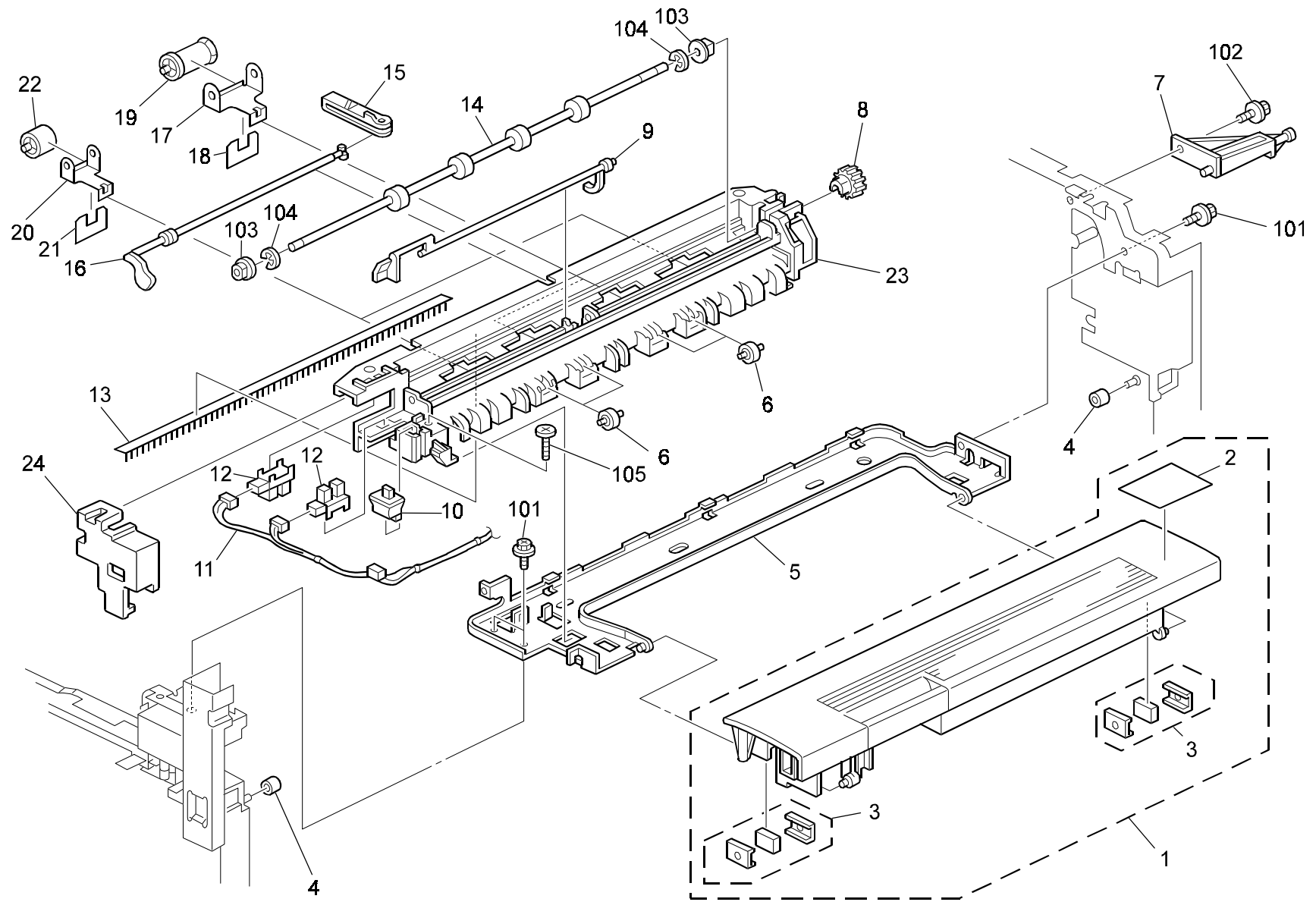
### 13.FUSING UNIT 2 (G062)

Index No.	Part No.	Description	Q'ty Per Assembly
1	A267 4112	Grip - Fusing Pressure	1
2	A267 4113	Front Lever - Pressure Roller	1
3	A267 4121	Front Side Plate - Fusing Unit	1
4	A267 4111	Shaft - Fusing Pressure	1
5	A267 4115	Rear Lever - Pressure Roller	1
6	A267 4125	Rear Side Plate - Fusing Unit	1
7	A267 4083	Sub Pressure Lever	1
8	A267 4081	Tension Spring - Pressure Lever	1
9	A267 4082	Pressure Lever	1
10	AA08 2073	Roller Busing	2
11	AA06 3570	Tension Spring	2
12	AE04 2029	Fusing Cleaning Roller	1
13	G038 4134	Thermofuse	1
14	A267 4091	Terminal Plate - Thermofuse	1
15	A232 2374	Spur	2
16	A267 4076	Spacer - Safety Switch	1
17	A267 4085	Fusing Entrance Guide	1
18	AW10 0050	Thermistor	1
19	G029 4153	Decal - High Temperature	1
20	A267 4072	Lower Frame - Fusing Unit	1
21	A267 4086	Ground Plate - Fusing Entrance Guide	1
22	A267 4099	Thermistor Holder	1

Index No.	Part No.	Description	Q'ty Per Assembly
101	0954 3006B	Screw - M3X6	
102	0450 3008B	Tapping Screw - M3x8	
103	0451 3006B	Tapping Screw - M3x6	
104	0450 3010B	Tapping Screw - M3x10	
105	0954 3010B	Philips Screw - M3x10	



# 14.PAPER EXIT (G062)

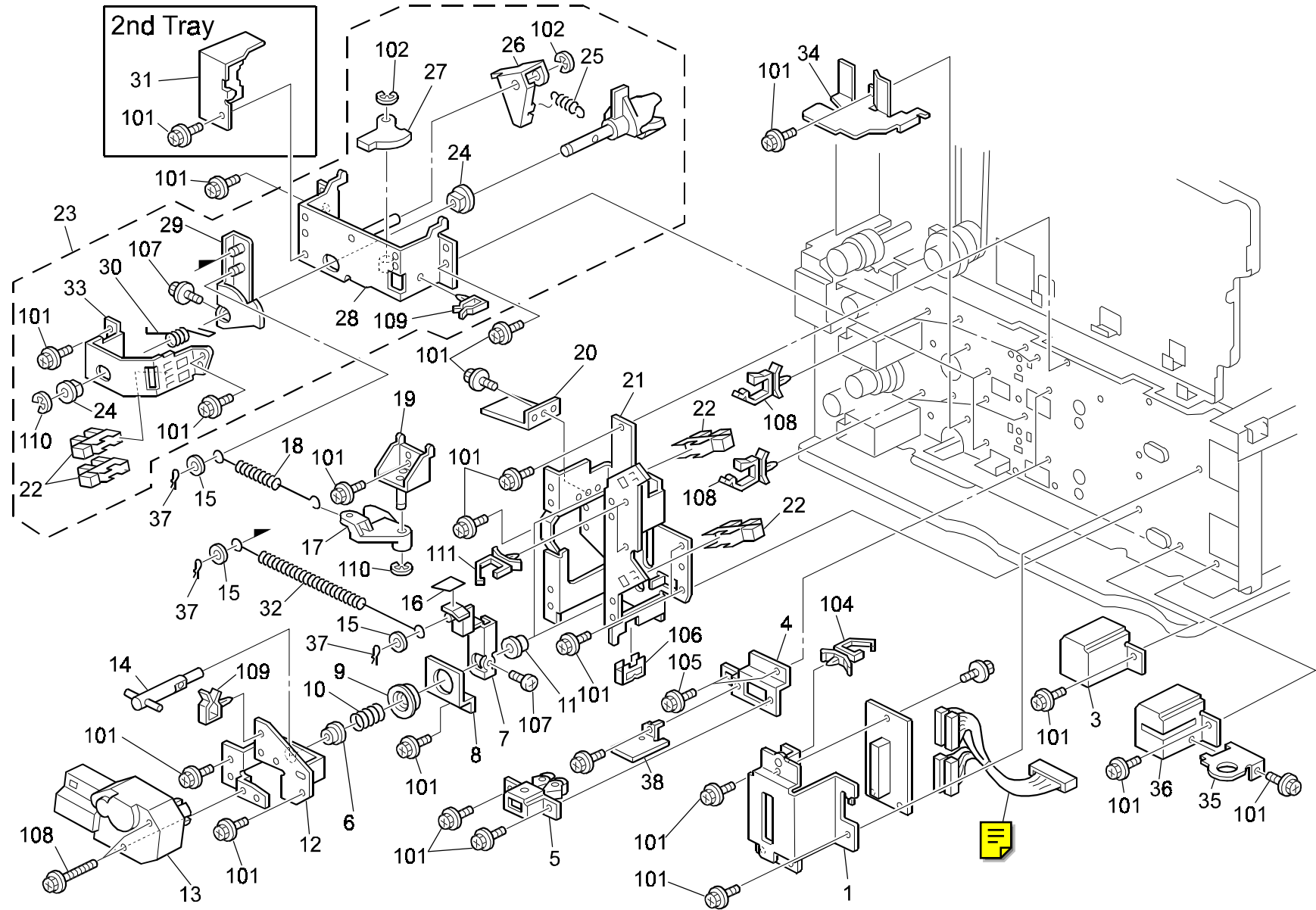


## 14.PAPER EXIT (G062)

Index No.	Part No.	Description	Q'ty Per Assembly
1	G038 1345	Paper Exit Guide Cover	1
2	G038 1348	Decal - Paper Exit	1
3	AG07 0014	Magnet Catch	2
4	A267 3958	Roller - Lever	2
5	A267 4452	Stay - Paper Exit	1
6	AF02 2112	Driven Roller	4
7	G038 5825	Stand	1
8	AB01 1404	Gear - 19Z	1
9	A267 4476	Feeler - Paper Feed Sensor	1
10	G020 5626	Push Switch	1
11	A267 5207	Relay Harness - Paper Exit Section	1
12	AW02 0086	Photointerruptor	2
13	AA12 0094	Antistatic Brush	1
14	AF02 0475	Exit Roller	1
15	A267 4478	Feeler - Paper Overflow	1
16	A267 4479	Shaft - Paper Overflow	1
17	A267 4474	Spring Plate - Tension Roller	1
18	A267 4486	Stopper	1
19	AF04 0566	Tension Roller	1
20	A267 4483	Spring Plate - Tension Roller	2
21	A267 4487	Outer Stopper	2
22	AF04 0567	Tension Roller	2
23	A267 4454	Guide Plate - Paper Exit	1
24	A267 4489	Sensor Cover - Paper Feed	1

Index No.	Part No.	Description	Q'ty Per Assembly
101	0802 5276	Tapping Screw With Waser - M3x6	
102	0451 3006B	Tapping Screw - M3x6	
103	0805 3480	Bushing - 6mm	
104	0720 0040E	Retaining Ring - M4	
105	0802 5283	Tapping Screw - M4x8	

# 15.DRIVE SECTION 1 (G062)

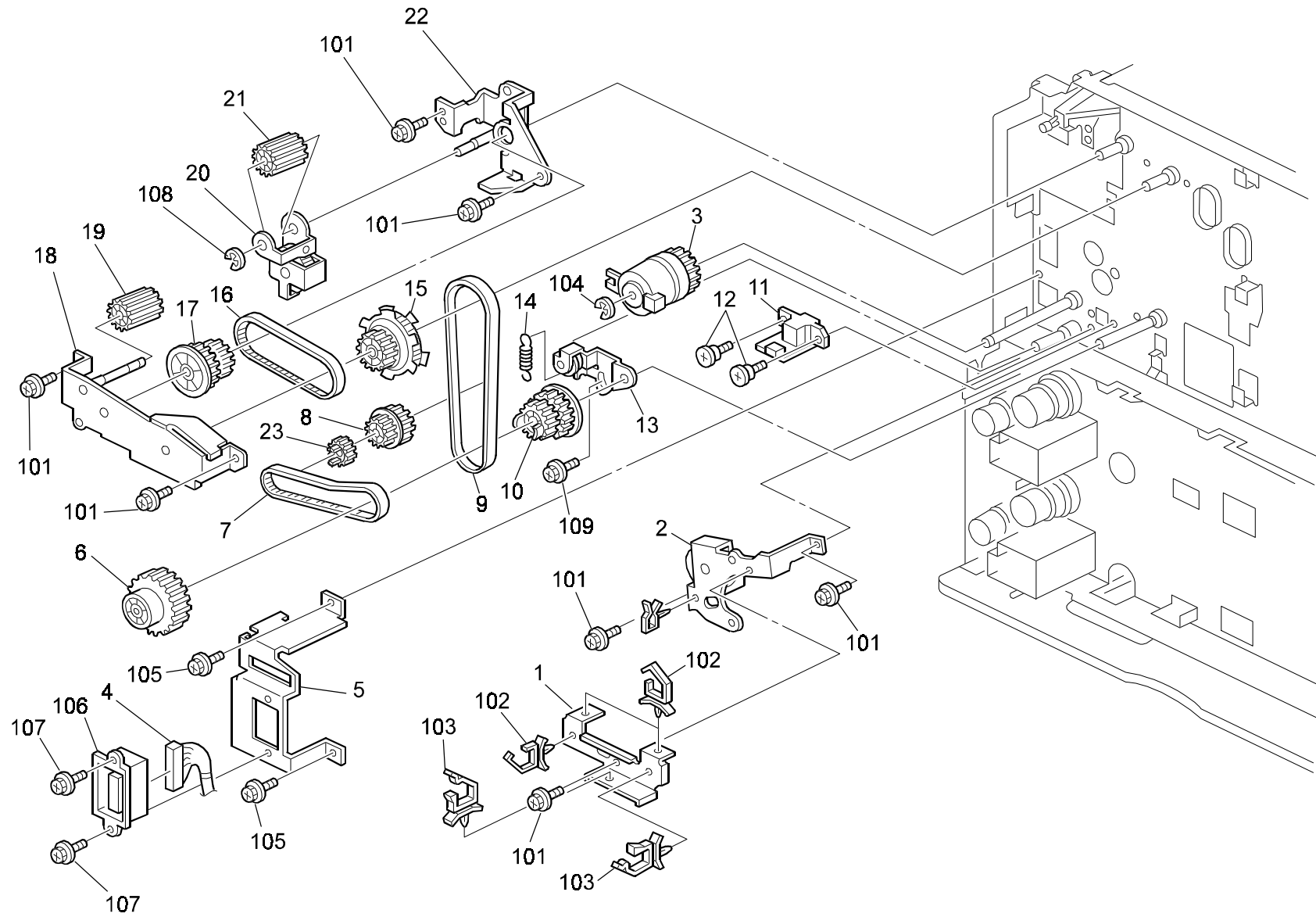


## 15.DRIVE SECTION 1 (G062)

Index No.	Part No.	Description	Q'ty Per Assembly
1	G038 7551	PCB Bank Bracket	1
2	G038 7560	PCB Bank	1
3	A267 2593	Left Cover Pin	1
4	A267 2908	Bracket - Paper Tray Holder	2
5	G697 1082	Tray Holder	2
6	A267 2847	Bushing - Motor Shaft	2
7	A267 2776	Lever - DC Motor	2
8	A267 2848	Holder - Pressure Spring	2
9	A267 2846	Holder - Spring	2
10	A267 2844	Compression Spring - Return	2
11	A267 2845	Bushing - DC Motor Shaft	2
12	A267 2838	Lower Bracket - Paper Lift Motor	2
13	AX04 0119	DC Motor - 1.92W	2
14	A267 2840	Shaft - DC Motor	2
15	AA13 2208	Spacer - M6	3
16	A267 2849	Shutter - Photointerruptor	2
17	A267 2794	Sub Pressure Lever	2
18	A267 2772	Tension Spring - Sub	2
19	A267 2781	Bracket - Pressure Lever	2
20	A267 2839	Harness Cover - Paper Feed	1
21	A267 2837	Upper Bracket - Paper Lift Motor	1
22	AW02 0075	Photointerruptor	6
23	A267 2780	Tray Lift Assembly	2
24	AA08 2070	Bushing - 8x16x7	4
25	A267 2766	Tension Spring - Stopper	2
26	A267 2765	Stopper - Pressure Lever	2
27	A267 2770	Vibrating Plate	2
28	A267 2815	Bracket - Uppe Paper Lift	2
29	A267 2777	Actuator - Paper Height Sensor	2
30	A267 2767	Torsion Spring - Joint	2
31	A267 2592	Right Cover Pin	1
32	A267 2771	Tension Spring - Main	2
33	A267 2773	Bracket - Rising 2	2
34	A267 2595	Spring Guard - Paper Feed	2
35	G038 2587	Left Holder - Positioning Pin	1

Index No.	Part No.	Description	Q'ty Per Assembly
36	G038 2586	Positioning Pin Cover - Left	1
37	A267 2836	Pin - M6	6
38	A267 2916	Bracket - Heater Harness	2
39	G038 5237	Bank Connectiong Harness	1
101	0451 3006B	Tapping Screw - M3x6	
102	0720 0040E	Retaining Ring - M4	
103	0451 3008H	Tapping Screw - 3x8	
104	1105 0487	Harness Clamp	
105	0451 3008B	Tapping Screw - M3x8	
106	1105 0329	Clamp - ES-0510	
107	0801 0150	Philips Screw - M4x8	
108	0451 3030B	Tapping Screw - 3x30	
109	1105 0283	Clamp	
110	0720 0060E	Retaining Ring - M6	
111	1105 0460	Clamp	

# 16.DRIVE SECTION 2 (G062)



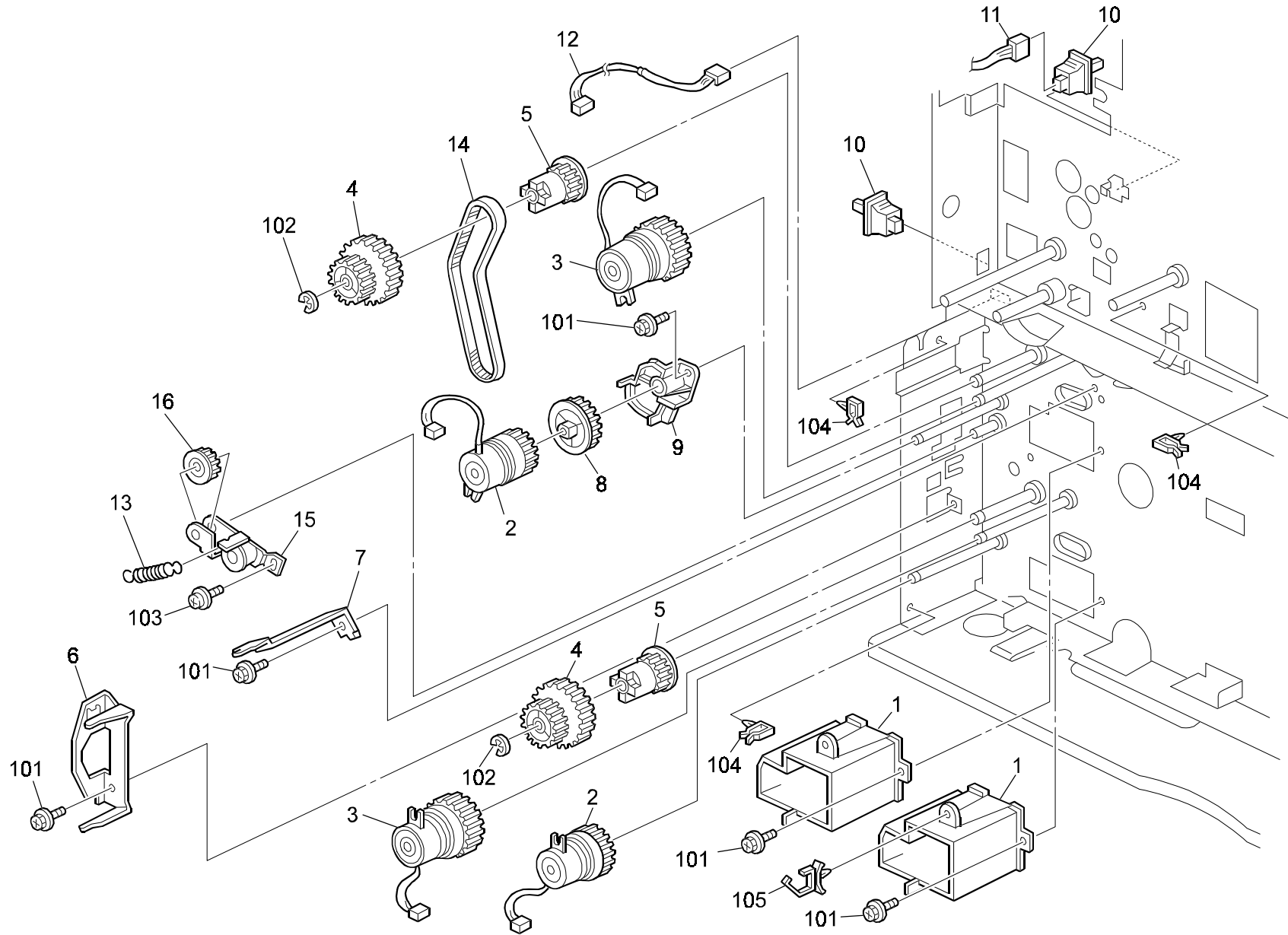
## 16.DRIVE SECTION 2 (G062)

Index No.	Part No.	Description	Q'ty Per Assembly
1	A267 5824	Bracket - Harness	1
2	G062 1183	Bracket Paper Feed Drive - RP2	1
3	AX20 0165	Magnetic Clutch	1
4	G038 5236	Manual Feed Unit Harness	1
5	A267 5826	Connector Bracket - Bypass Feed	1
6	AB01 4050	Gear - 44Z	1
7	AA04 3516	Timing Belt - S3M - 342	1
8	AB01 7523	Gear - 24Z	1
9	AA04 3514	Timing Belt - S3M - 420	1
10	AB03 3091	Timing Pulley - 31T/36T	1
11	A267 5156	PCU Detector Board	1
12	G020 5829	Shoulder Screw - M3x2.5	2
13	A267 1115	Tension Bracket	1
14	AA06 0792	Tension Spring	1
15	AB03 3092	Timing Pulley - 27T/48T	1
16	AA04 3515	Timing Belt - S3M - 225	1
17	AB01 7503	Gear - 35Z/28Z	1
18	A267 1162	Cover - Fusing Drive	1
19	AB01 1204	Gear - 27Z	1
20	A267 1170	Drive Gear - 36Z	1
21	AB01 1203	Gear - 30Z	1
22	A267 1159	Bracket - Fusing Drive	1
23	AB01 7522	Gear - Joint Paper Feed	1

Index No.	Part No.	Description	Q'ty Per Assembly
101	0451 3006B	Tapping Screw - M3x6	
102	1105 0460	Clamp	
103	1105 0488	Harness Clamp	
104	0720 0060E	Retaining Ring - M6	
105	0802 5276	Tapping Screw With Washer - M3x6	
106	1102 7672	Connector - 54111-1615	
107	0451 3008H	Tapping Screw - 3x8	
108	0720 0040E	Retaining Ring - M4	
109	0802 5279	Tapping Screw With Washer - M3x8	



# 17.DRIVE SECTION 3 (G062)

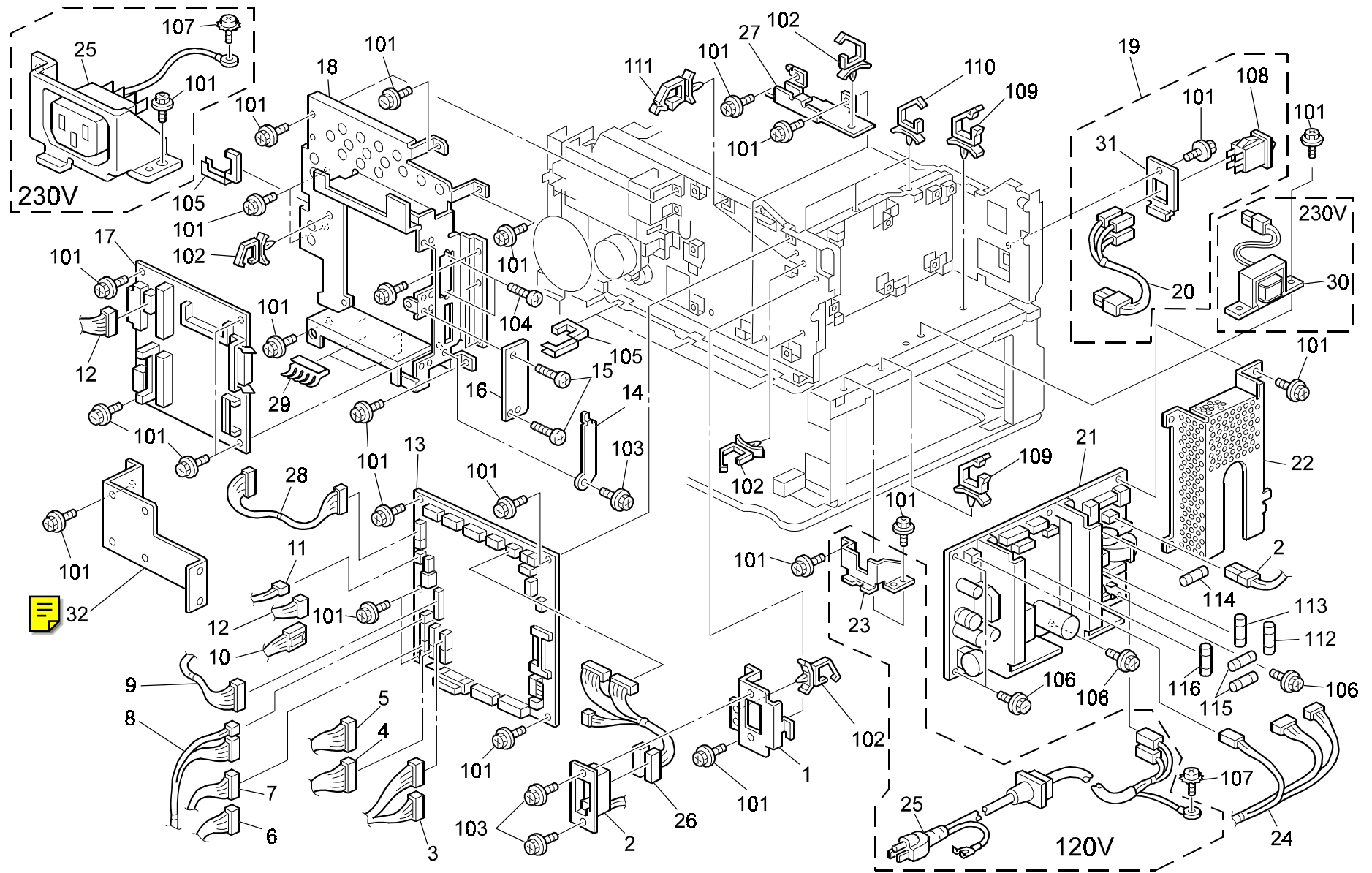


### 17.DRIVE SECTION 3 (G062)

Index No.	Part No.	Description	Q'ty Per Assembly
1	A267 2596	Right Drive Guard	2
2	AX20 0167	Magnetic Clutch	2
3	AX20 0166	Magnetic Clutch	2
4	AB01 1199	Gear - 31Z/54Z	2
5	AB03 0626	Timing Pulley - 20T	2
6	A267 2605	Support Bracket - Transport Clutch	1
7	A267 2604	Stopper - Feed Clutch	1
8	AB01 1200	Gear - 38Z	1
9	A267 2601	Positioning Guide - Bypass Feed	1
10	G020 5626	Push Switch	2
11	G038 5203	Sensor Harness - New Article	1
12	A267 5236	Relay Harness - ID Sensor	1
13	AA06 0792	Tension Spring	1
14	AA04 3517	Timing Belt - S3M - 315	1
15	A267 2602	Tensioner	1
16	AB03 0627	Timing Pulley - 18T	1

Index No.	Part No.	Description	Q'ty Per Assembly
101	0451 3006B	Tapping Screw - M3x6	
102	0720 0060E	Retaining Ring - M6	
103	0802 5279	Tapping Screw With Washer - M3x8	
104	1105 0283	Clamp	
105	1105 0460	Clamp	

# 18.ELECTRICAL SECTION 1 (G062)



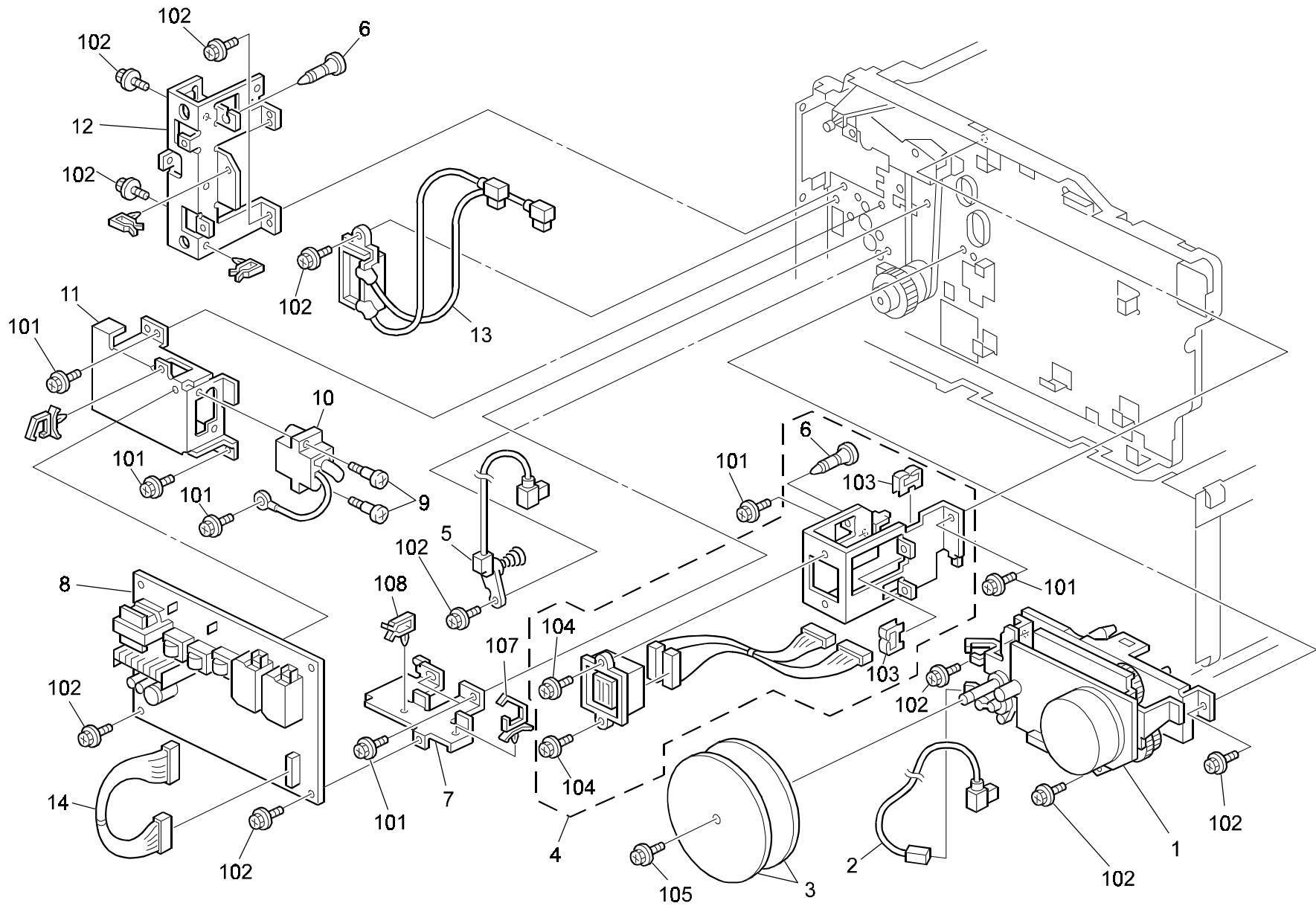
## 18.ELECTRICAL SECTION 1 (G062)

Index No.	Part No.	Description	Q'ty Per Assembly
1	G038 5823	Connector Bracket - Joint Unit	1
2	G062 5235	Harness - PSU Joint - RP2	1
3	G038 5213	Paper Feed Harness - 2	1
4	G038 5211	Paper Size Sensor Harness	1
5	G038 5216	Process Control Harness	1
6	G038 5215	Paper Feed Harness - Motor	1
7	G038 5212	Paper Feed Harness - 1	1
8	G038 5201	Motor Harness	1
9	G062 5241	Harness - LDD - RP2	1
10	G038 5209	Safety Switch Harness	1
11	G038 5205	Toner Bottle Harness	1
12	G062 5243	Harness - Polygon Mirror Motor - RP2	1
13	G062 7611	PCB - Engine Board R-P2 - NA	1
13	G062 7631	PCB - Engine Board R-P2 - EU	1
14	G038 5826	Cover - IC Card	1
15	G020 1391	Screw - M3x4.5	2
16	G038 5813	Connector Cover - Control Board	1
17	G062 5945	Control Board - R-P2 - EXP Ass'y	1
18	G062 5811	Shadeing Plate - Control Board	1
19	A267 5822	Main Switch Ass'y	1
20	A267 5229	Harness - AC Switch	1
21	A250 5720	Power Supply Unit (120V)	1
21	A250 5722	Power Supply Unit (230V)	1
22	G038 7562	PSU Guide Bracket	1
23	G038 5817	Power Supply Cord Bracket (120V)	1
24	G062 5225	Harness - Power Supply Unit - RP2	1
24	G038 7582	PSU Harness - EUR	1
25	G038 7557	Power Cord Stopper - 115V	1
25	G038 7580	Bracket - Power Inlet (230V)	1
26	G038 5233	Joint Unit Harness	1
27	G038 5815	Harness Bracket	1
28	G038 5223	P.P/R-P Harness	1
29	G038 5827	Spring Plate	2
30	N607 4525	Coil - RITL-9704	1
31	A267 5823	Bracket - Main Switch	1

Index No.	Part No.	Description	Q'ty Per Assembly
101	0451 3006B	Tapping Screw - M3x6	
102	1105 0460	Clamp	
103	0451 3008H	Tapping Screw - 3x8	
104	0353 0100Z	Bind Screw - M3x10	
105	1105 0334	Edge - 17	
106	0804 6075	Hexagonal Bolt - M3x8	
107	0801 0149	Philips Pan Head Screw - M4x6	
108	1204 2477	Locker Switch - AC250V 10A	
109	1105 0292	Wire Saddle	
110	1105 0487	Harness Clamp	
111	1105 0291	Harness Clamp - LWS-3S	
112	1107 0629	Fuse - 15A 125V (120V)	
113	1107 0393	Fuse - 8A 125V (120V)	
113	1107 0750	Fuse - 3.15A 250V (230V)	
114	1107 0354	Fuse - 3.15A 125V (120V)	
114	1107 0750	Fuse - 3.15A 250V (230V)	
115	1107 0390	Fuse - 4A 125V (120V)	
115	1107 0751	Fuse - 4A 250V (230V)	
116	1107 0388	Fuse - 2A 125V (120V)	
116	1107 0748	Fuse - 2A, 250V (230V)	



# 19.ELECTRICAL SECTION 2 (G062)



## 19.ELECTRICAL SECTION 2 (G062)

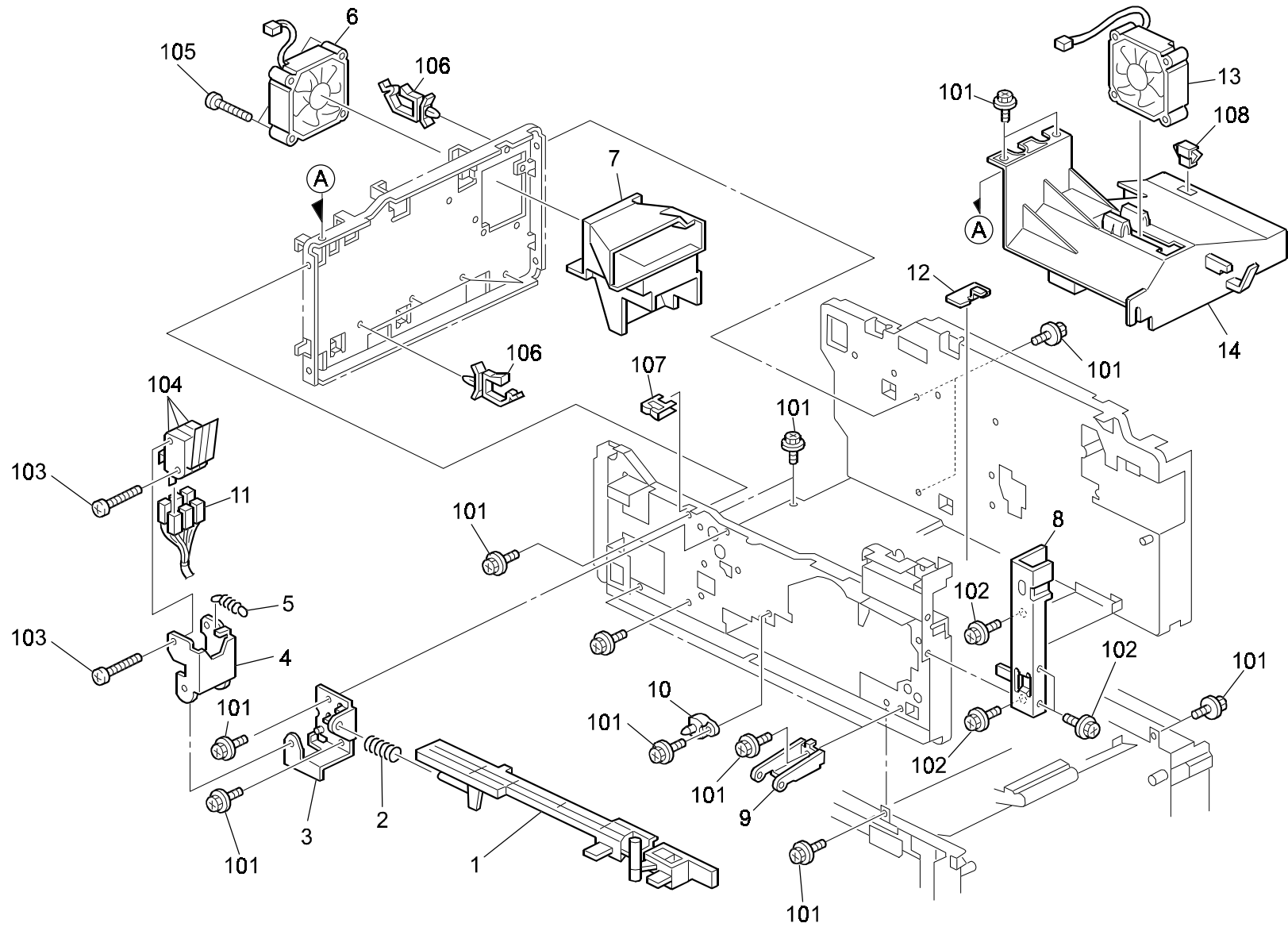
Index No.	Part No.	Description	Q'ty Per Assembly
1	AX06 0209	Main Motor - DC30W	1
2	G038 5224	High Voltage Harness - B	1
3	A267 1184	Fly Wheel	3
4	G038 5816	Gate Pawl Bracket	1
5	A267 3461	Receptacle - Change Roller	1
6	G020 5871	Spacer - KGLS-12RF	2
7	G038 5819	Power Pack Bracket	1
8	G062 5730	Power Pack - Bctd - RP2	1
9	AA14 3301	Stepped Screw - M3x4	2
10	G038 7556	Fusing Harness -115V	1
10	G038 7586	Fusing Harness - EUR	1
11	G038 1076	Rear Guide Plate - Fusing Unit	1
12	G038 1079	Right Rear Frame	1
13	A267 3950	Receptacle - Transfer/Sprtion Unit	1
14	G038 5223	P.P/R-P Harness	1



Index No.	Part No.	Description	Q'ty Per Assembly
101	0451 3006B	Tapping Screw - M3x6	
102	0802 5276	Tapping Screw With Waser - M3x6	
103	1105 0329	Clamp - ES-0510	
104	0451 3008H	Tapping Screw - 3x8	
105	0951 3008B	Philips Screw With Flat Washer - M3x8	




## 20.FRAME SECTION (G062)



## 20.FRAME SECTION (G062)

Index No.	Part No.	Description	Q'ty Per Assembly
1	A267 5815	Lever - Door Switch	1
2	A267 5820	Compression Spring	1
3	A267 5812	Bracket - Door Switch	1
4	A267 5813	Bracket - Micro Switch	1
5	A267 5821	Tension Spring - Door Switch	1
6	A267 1105	Exhaust Fan Motor - DC 2.88W	1
7	A267 1102	Duct - Fam Motor	1
8	G038 1078	Right Front Frame	1
9	A267 1088	Hinge - Front Cover	2
10	G062 1931	Positioning Pin - Laser Unit	1
11	G038 5209	Safety Switch Harness	1
12	G062 1932	Spacer - Positioning Pin - Laser Unit	2
13	G062 1104	Fan - MM80 - Polygon Mirror Motor	1
14	G062 1107	Duct - Fan Polygon Mirror Motor	1

Index No.	Part No.	Description	Q'ty Per Assembly
102	0802 5276	Tapping Screw With Waser - M3x6	
103	0313 0350B	Philips Pan Head Screw - M3x35	
104	1204 2510	Micro Switch	
105	0314 0300B	Philips Pan Head Screw - M4x30	
106	1105 0487	Harness Clamp	
107	1105 0334	Edge - 17	
108	1102 4473	CT Connector - 2p	
			





## 21.PRINTER CONTROL BOARD (G062)

### CAPACITOR

SYMBOL NO.	INDEX NO.	SYMBOL NO.	INDEX NO.	SYMBOL NO.	INDEX NO.	SYMBOL NO.	INDEX NO.	SYMBOL NO.	INDEX NO.	SYMBOL NO.	INDEX NO.	SYMBOL NO.	INDEX NO.
C 1	134	C 11	--	C 21	166	C 31	--	C 41	169	C 51	169	C 61	165
C 2	134	C 12	--	C 22	166	C 32	160	C 42	169	C 52	163	C 62	166
C 3	160	C 13	163	C 23	166	C 33	160	C 43	--	C 53	136	C 63	169
C 4	169	C 14	133	C 24	166	C 34	--	C 44	169	C 54	166	C 64	166
C 5	169	C 15	166	C 25	--	C 35	169	C 45	169	C 55	166	C 65	169
C 6	159	C 16	166	C 26	135	C 36	169	C 46	169	C 56	169	C 66	169
C 7	159	C 17	166	C 27	161	C 37	--	C 47	--	C 57	169	C 67	169
C 8	159	C 18	166	C 28	161	C 38	--	C 48	169	C 58	163	C 68	161
C 9	--	C 19	160	C 29	161	C 39	--	C 49	169	C 59	169	C 69	169
C 10	--	C 20	169	C 30	--	C 40	169	C 50	169	C 60	165	C 70	169

### CAPACITOR

SYMBOL NO.	INDEX NO.	SYMBOL NO.	INDEX NO.	SYMBOL NO.	INDEX NO.	SYMBOL NO.	INDEX NO.	SYMBOL NO.	INDEX NO.	SYMBOL NO.	INDEX NO.
C 71	166	C 81	164	C 91	166	C 101	163	C 111	163	CN 501	107
C 72	169	C 82	163	C 92	--	C 102	162	C 112	172	CN 502	104
C 73	161	C 83	118	C 93	--	C 103	162	C 113	163	CN 503	--
C 74	161	C 84	169	C 94	169	C 104	167	C 114	172	CN 504	105
C 75	161	C 85	118	C 95	169	C 105	172	C 115	167	---	--
C 76	169	C 86	169	C 96	--	C 106	163	C 116	--	CN 506	103
C 77	163	C 87	118	C 97	--	C 107	172	C 117	163	CN 507	103
C 78	169	C 88	118	C 98	166	C 108	172	C 118	166	CN 508	--
C 79	169	C 89	169	C 99	118	C 109	167			CN 509	102
C 80	118	C 90	166	C 100	137	C 110	167			CN 510	101
										CN 511	106
										CN 512	--

### CONNECTOR

## 21.PRINTER CONTROL BOARD (G062)

### FILTER

SYMBOL NO.	INDEX NO.
FIL 1	138
FIL 2	138
FIL 3	138
FIL 4	138
FIL 5	138
FIL 6	138
FIL 7	138
FIL 8	138
FIL 9	140
FIL 10	158

SYMBOL NO.	INDEX NO.
FIL 103	158
FIL 105	158

### IC

SYMBOL NO.	INDEX NO.
IC 1	170
IC 2	--
IC 3	--
IC 4	170
---	--
IC 6	1
IC 7	121
IC 8	117
IC 9	112
IC 10	118

SYMBOL NO.	INDEX NO.
IC 11	--
IC 12	--
IC 13	113
IC 14	115
IC 15	119
IC 16	113
IC 17	--
IC 18	119
IC 19	116
IC 20	116

SYMBOL NO.	INDEX NO.
IC 21	--
IC 22	--
---	--
IC 24	2
IC 25	114
IC 26	111
(Socket)	108
IC 27	--
IC 28	120
IC 29	122
IC 30	--

### JP

SYMBOL NO.	INDEX NO.
JP 2	158
JP 18	158
JP 24	158
JP 27	158
JP 31	158
JP 33	158
JP 50	158

### LED

SYMBOL NO.	INDEX NO.
LDE 1	110
LDE 2	110

### OSC

SYMBOL NO.	INDEX NO.
OSC 1	124
OSC 2	--

### REG

SYMBOL NO.	INDEX NO.
REG 5	123

### RESISTOR

SYMBOL NO.	INDEX NO.
R 1	142
R 2	143
R 3	151
R 4	151
R 5	151
R 6	150
R 7	150
R 8	150
R 9	150
R 10	150

SYMBOL NO.	INDEX NO.
R 11	150
R 12	150
R 13	150
R 14	142
R 15	151
R 16	145
R 17	142
R 18	--
R 19	--
R 20	--

SYMBOL NO.	INDEX NO.
R 21	--
R 22	150
R 23	142
R 24	150
R 25	151
R 26	150
R 27	142
R 28	142
R 29	145
R 30	155

SYMBOL NO.	INDEX NO.
R 31	142
R 32	157
R 33	145
R 34	152
R 35	150
R 36	150
R 37	141
R 38	153
R 39	147
R 40	144

SYMBOL NO.	INDEX NO.
R 41	153
R 42	142
R 43	171
R 44	151
R 45	--
R 46	150
R 47	150
R 48	150
R 49	150
R 50	150

## 21.PRINTER CONTROL BOARD (G062)

### RESISTOR

SYMBOL NO.	INDEX NO.
R 51	150
R 52	150
R 53	150
R 54	150
R 55	148
R 56	154
R 57	154
R 58	154
R 59	--
R 60	146

SYMBOL NO.	INDEX NO.
R 61	150
R 62	150
R 63	150
R 64	150
R 65	151
R 66	151
R 67	151
R 68	151
R 69	151
R 70	151

SYMBOL NO.	INDEX NO.
R 71	156
R 72	156
R 73	145
R 74	155
R 75	155
R 76	145
R 77	149
R 78	--
R 79	--
R 80	--

SYMBOL NO.	INDEX NO.
R 81	--
R 82	139
R 83	139
R 84	139
R 85	139
R 86	139
R 87	139
R 88	139
R 89	139
R 90	139

SYMBOL NO.	INDEX NO.
R 91	139
R 92	139
R 93	139
R 94	--
R 95	--
R 96	--
R 97	139
R 98	150
R 99	150
R 100	150

SYMBOL NO.	INDEX NO.
R 101	150
R 102	147
---	--
R 104	--
---	--
R 106	--
R 107	150
R 108	150
R 109	150
R 110	150

SYMBOL NO.	INDEX NO.
R 111	--
R 112	150
R 113	150
R 114	150
R 115	141

### RN

SYMBOL NO.	INDEX NO.
RN 1	125
RN 2	131
RN 3	128
RN 4	128
RN 5	128
RN 6	130
RN 7	128
RN 8	131
RN 9	125
RN 10	125

SYMBOL NO.	INDEX NO.
RN 11	--
RN 12	--
RN 13	126
RN 14	129
RN 15	130
RN 16	130
RN 17	130
RN 18	130
RN 19	130
RN 20	130

SYMBOL NO.	INDEX NO.
RN 21	130
RN 22	130
RN 23	128
RN 24	128
RN 25	128
RN 26	--
RN 27	128
RN 28	128
RN 29	132
RN 30	132

SYMBOL NO.	INDEX NO.
RN 31	132
RN 32	127
RN 33	127
RN 34	127
RN 35	127
RN 36	127
RN 37	127
RN 38	127
RN 39	127
RN 40	128

SYMBOL NO.	INDEX NO.
RN 41	128
RN 42	128
RN 43	128
RN 44	128
RN 45	128
RN 46	128
RN 47	128
RN 48	128

### SW

SYMBOL NO.	INDEX NO.
SW 1	109
SW 2	--



## 21.PRINTER CONTROL BOARD (G062)

Index No.	Part No.	Description	Q'ty Per Assembly
*	G062 5945	Control Board - R-P2 - EXP Ass'y	1
1	G062 5300	IC - ASIC SR64	1
2	G062 5810	Mask Rom - MX23I3211T - RP2	1

Index No.	Part No.	Description	Q'ty Per Assembly
101	1102 5409	Connector - 20P	
102	1102 6019	Connector - FCN685J036-I/YA	
103	1102 7358	Connector - 80P	
104	1102 8090	Connector - TX25-30P-12ST-N1	
105	1102 8153	Connector - FCN-568P068-G/05A-V4	
106	1102 8189	Dimm Connector - 54534-1440	
107	1104 0771	IC Socket - 28PIN	
108	1204 1542	Dip Switch	
109	1400 0772	Transistor - 2SA1834	
110	1402 1058	Diode Array - DA114	
111	1402 1444	Diode - RB051L-40	
112	1403 0953	LED - SMI-310MT	
113	1407 4467	CMOS IS - TC74HCT273AF	
114	1407 4684	SRAM STK12C68-P45	
115	1407 4919	IC - 74VHCT244 TSSOP	
116	1407 4922	IC - 74VHC374 TSSOP	
117	1407 4947	IC - 74LCX244	
118	1407 5275	CMOS LOGIC - 74LVCHR16245A TSSOP	
119	1407 5278	Clock Generator - ICS9148BF-17	
120	1407 5322	IC - CMOS LOGIC SN74LVC161284DGG	
121	1407 5412	CPU - RM5261-250Q-REV1.2C	
122	1408 1449	IC - M62220FP	
123	1408 1538	IC - M62032AFP	
124	1408 1562	Series Regulator - SC1565IS-2.5	
125	1503 0842	Oscillator - 14.31818Mhz	
126	1601 7752	Resistor Array - 10K $\Omega$ $\pm$ 5%	
127	1601 7753	Resistor - 47 $\Omega$ $\pm$ 5%	
128	1601 7781	Resistor - 10 $\Omega$ $\pm$ 5%	
129	1601 7867	Resistor - 33 $\Omega$ $\pm$ 5% 1/16W	
130	1601 7869	Resistor Array - 1.2k $\Omega$ $\pm$ 5% 1/16W	
131	1601 7898	Resistor Array	
132	1604 4333	Capacitor - 100 $\mu$ F $\pm$ 20% 10V	
133	1604 4335	Capacitor - 220 $\mu$ F $\pm$ 20% 10V	
134	1604 4428	Capacitor 100 $\mu$ F20% 16V	
135	1604 4815	Capacitor - 150 $\mu$ F $\pm$ 20% 4V	

Index No.	Part No.	Description	Q'ty Per Assembly
136	1604 4821	Capacitor - 85 ° C 220μF±20% 4V	
137	1605 0781	Capacitor -5pF 50V	
138	1605 1010	Capacitor - 10μF±20% 10V	
139	1605 1132	Capacitor - 2.2μF+80-20% 16V	
140	1607 1061	Filter - BLM11P300SPB	
141	1607 1124	Filter- BLM11A471SGPB	
142	1607 1206	Filter - ACC2012L-250	
143	1607 1216	Inductor - 22UH ±20% 4A	
144	1610 1419	Resistor - 100 Ω ±1% 1/2W	
145	1610 1420	Resistor - 0.075 Ω ±1% 0.5W	
146	1630 4100	Resistor - 10 Ω ±5% 1/16W	
147	1630 4102	Resistor - 1.0KΩ ±5% 1/16W	
148	1630 4103	Resistor - 10KΩ ±5% 1/16W	
149	1630 4122	Resistor - 1.2K Ω 5% 1/16W	
150	1630 4220	Resistor - 22 Ω ±5% 1/16W	
151	1630 4330	Resistor - 33 Ω ±5% 1/8W	
152	1630 4470	Resistor - 470 Ω ±5% 1/16W	
153	1630 4472	Resistor - 4.7KΩ ±5% 1/16W	
154	1630 4519	Resistor - 5.1Ω ±5% 1/16W	
155	1630 4562	Resistor - 5.6k Ω - ±5% - 1/16W	
156	1630 4620	Resistor - 62Ω ±5% 1/16W 1608	
157	1630 4680	Resistor - 68 Ω ±5% 1/16W	
158	1630 4681	Resistor - 680 Ω ±5% 1/16W	
159	1630 4820	Resistor - 82 Ω ±5% 1/16W	
160	1632 0000	Resistor - 0 Ω 1/8W	
161	1634 0000	Resistor - 0 Ω 1/16W	
162	1634 1003	Resistor - 100KΩ ±1% 1/16W	
163	1634 1333	Resistor - 133K Ω ±1% 1/16W	
164	1634 1809	Resistor - 18.0 Ω ±1% 1/16W	
165	1634 3309	Resistor - 33 Ω ±1% 1/16W	
166	1634 4022	Resistor - 40.2K Ω ±1% 1/16W	
167	1634 5609	Resistor - 56 Ω ±1% 1/16W	
168	1644 1100	Capacitor - 10μF±20% 16V	
169	1660 0100	Capacitor - 10PF ±0.5pF 50V	
170	1660 2101	Capacitor - 100pF - ±10% - 50V	

Index No.	Part No.	Description	Q'ty Per Assembly
171	1660 2221	Capacitor - 220pF +80-20% 50V	
172	1660 2330	Capacitor - 33pF - ±5% - 50V	
173	1660 2331	Capacitor - 330pF ±5% 50V	
174	1660 4102	Capacitor - 1000pF ±10% 50V	
175	1660 4103	Capacitor - 10000pF - ±10% - 50V	
176	1660 6103	Capacitor - 10000pF - +80%-20%50V	
177	1660 8104	Capacitor - 0.1μF+80-20% 25V	
178	1906 0022	Flash Memory - E28F640J3A-120	
179	1907 0016	SDRAM 64M 1MX16X4 100MHZ G5	

## 22.ENGINE BOARD (G062)

### CAPACITOR

SYMBOL NO.	INDEX NO.	SYMBOL NO.	INDEX NO.	SYMBOL NO.	INDEX NO.	SYMBOL NO.	INDEX NO.	SYMBOL NO.	INDEX NO.	SYMBOL NO.	INDEX NO.		
---	--	C 11	183	C 21	194	C 31	185	C 41	194	C 51	192	C 61	192
C 2	191	C 12	184	C 22	194	C 32	192	C 42	194	C 52	192	C 62	192
C 3	194	C 13	183	C 23	192	C 33	190	C 43	194	C 53	192	C 63	192
C 4	194	C 14	192	C 24	192	C 34	192	C 44	--	C 54	192	C 64	194
C 5	191	C 15	192	C 25	194	C 35	187	C 45	192	C 55	192	C 65	192
C 6	187	C 16	192	C 26	192	C 36	187	C 46	192	C 56	192	C 66	194
C 7	194	C 17	192	C 27	194	C 37	187	C 47	194	C 57	192	C 67	194
C 8	192	C 18	192	C 28	194	C 38	187	C 48	194	C 58	192	C 68	194
C 9	192	C 19	187	C 29	194	C 39	187	C 49	192	C 59	192	C 69	194
C 10	192	C 20	194	C 30	186	C 40	187	C 50	192	C 60	192	C 70	192

### CAPACITOR

SYMBOL NO.	INDEX NO.	SYMBOL NO.	INDEX NO.	SYMBOL NO.	INDEX NO.	SYMBOL NO.	INDEX NO.	SYMBOL NO.	INDEX NO.	SYMBOL NO.	INDEX NO.	SYMBOL NO.	INDEX NO.
C 71	192	C 81	192	C 91	192	C 101	194	C 111	192	C 121	192	C 131	188
C 72	192	C 82	192	C 92	192	C 102	194	C 112	192	C 122	192	C 132	192
C 73	192	C 83	192	C 93	192	C 103	194	C 113	194	C 123	192	C 133	194
C 74	192	C 84	194	C 94	192	C 104	194	C 114	194	C 124	194	C 134	194
C 75	192	C 85	194	C 95	192	C 105	194	C 115	194	C 125	192	C 135	194
C 76	192	C 86	194	C 96	192	C 106	194	C 116	194	C 126	193	C 136	194
C 77	192	C 87	194	C 97	192	C 107	187	C 117	194	C 127	194	C 137	187
C 78	192	C 88	194	---	--	C 108	187	C 118	194	C 128	193	C 138	194
C 79	192	C 89	192	C 99	194	C 109	187	C 119	194	C 129	157	C 139	194
C 80	192	C 90	194	C 100	1092	C 110	192	C 120	190	C 130	188	C 140	194

## 22.ENGINE BOARD (G062)

### CAPACITOR

SYMBOL NO.	INDEX NO.
C141	192
C142	192
C143	192
C144	192
C145	194
C146	192
C147	192
C148	192
C149	192
C150	192

SYMBOL NO.	INDEX NO.
C151	192
C152	192
C153	190
C154	190
C155	189
C156	189
C157	192
C158	192
C159	194
C 160	194

SYMBOL NO.	INDEX NO.
C161	186
C162	193
C163	193
C164	192
C165	192
C166	193
C167	187
C168	192
C169	192
C 170	194

### CONNECTOR

SYMBOL NO.	INDEX NO.
CN 99	117
CN 101	122
CN 104	103
CN 105	123
CN 110	121
CN 130	102
CN 134	116
CN 201	110
CN 203	101
CN 205	103

SYMBOL NO.	INDEX NO.
CN 206	106
CN 209	114
CN 216	108
CN 221	103
CN 223	113
CN 225	104
CN 226	115
CN 228	104
CN 231	119
CN 232	120

SYMBOL NO.	INDEX NO.
CN 233	108
CN 234	106
CN 236	118
CN 242	105
CN 305	119
CN 306	107
CN 307	109
CN 308	111
CN 309	112

### DA

SYMBOL NO.	INDEX NO.
DA 1	133
DA 2	133
DA 3	133
DA 4	133
DA 5	133

### DIODE

SYMBOL NO.	INDEX NO.
D 1	131
D 2	131

### FILTER

SYMBOL NO.	INDEX NO.
FIL 1	159
FIL 2	159
FIL 3	159
FIL 4	159
FIL 5	159
FIL 6	159
FIL 7	159
FIL 8	159
FIL 9	158
FIL 10	159

SYMBOL NO.	INDEX NO.
FIL 11	159
FIL 12	159
FIL 13	159
FIL 14	158

### FUSE

SYMBOL NO.	INDEX NO.
FU 1	125
FU 2	126

### IC

SYMBOL NO.	INDEX NO.
IC 1	144
(Socket)	124
IC 2	140
IC 3	141
IC 4	147
IC 5	145
IC 6	140
IC 7	140
IC 8	148
IC 9	136
IC 10	139

SYMBOL NO.	INDEX NO.
IC 11	146
IC 12	1
IC 13	140
---	--
IC 15	136
IC 16	2
IC 17	140
IC 18	140
IC 19	136
IC 20	136

SYMBOL NO.	INDEX NO.
IC 21	195
---	--
IC 23	138
IC 24	149
---	--
IC 26	143
IC 27	137

### JP

SYMBOL NO.	INDEX NO.
JP 1	180
JP 3	180

### OSC

SYMBOL NO.	INDEX NO.
OSC 1	150
OSC 2	151

### LED

SYMBOL NO.	INDEX NO.
LED 1	134
LED 2	135

## 22.ENGINE BOARD (G062)

### Q RESISTOR

SYMBOL NO.	INDEX NO.	SYMBOL NO.	INDEX NO.	SYMBOL NO.	INDEX NO.	SYMBOL NO.	INDEX NO.	SYMBOL NO.	INDEX NO.	SYMBOL NO.	INDEX NO.	SYMBOL NO.	INDEX NO.
Q 1	127	R 1	169	R 11	169	R 21	169	R 31	169	R 41	169	R 51	170
---	--	R 2	174	R 12	170	R 22	170	R 32	170	R 42	170	R 52	178
Q 3	142	R 3	172	R 13	172	R 23	170	R 33	174	R 43	174	---	--
Q 4	130	R 4	175	R 14	172	R 24	174	R 34	170	R 44	169	R 54	171
Q 5	129	R 5	169	R 15	172	R 25	170	R 35	169	R 45	175	R 55	160
Q 6	142	R 6	172	R 16	169	R 26	176	R 36	174	R 46	175	R 56	177
Q 7	142	R 7	172	R 17	175	R 27	169	R 37	169	R 47	175	R 57	177
Q 8	128	R 8	172	R 18	172	R 28	170	R 38	169	R 48	152	R 58	177
		R 9	169	R 19	169	R 29	169	R 39	169	R 49	179	R 59	177
		R 10	170	R 20	176	R 30	169	R 40	169	R 50	170	R 60	170

### RESISTOR

SYMBOL NO.	INDEX NO.	SYMBOL NO.	INDEX NO.	SYMBOL NO.	INDEX NO.	SYMBOL NO.	INDEX NO.	SYMBOL NO.	INDEX NO.	SYMBOL NO.	INDEX NO.	SYMBOL NO.	INDEX NO.
R 61	169	R 71	169	R 81	170	R 91	169	R 101	169	---	--	R 121	170
R 62	169	R 72	170	---	--	R 92	170	R 102	174	R 112	169	R 122	169
R 63	170	R 73	170	---	--	R 93	170	R 103	174	R 113	169	R 123	174
R 64	174	R 74	170	R 84	162	R 94	169	R 104	174	R 114	169	R 124	174
R 65	174	R 75	169	R 85	162	R 95	176	R 105	169	R 115	169	R 125	174
R 66	170	R 76	170	R 86	162	R 96	176	R 106	172	---	--	R 126	174
R 67	169	R 77	162	R 87	162	R 97	170	R 107	174	R 117	162	R 127	168
---	--	R 78	162	R 88	170	R 98	169	R 108	169	R 118	174	R 128	172
R 69	170	R 79	174	R 89	169	R 99	170	R 109	170	R 119	169	R 129	169
---	--	R 80	167	R 90	170	R 100	169	R 110	170	R 120	169	R 130	169



## 22.ENGINE BOARD (G062)

### RESISTOR

SYMBOL NO.	INDEX NO.	SYMBOL NO.	INDEX NO.	SYMBOL NO.	INDEX NO.	SYMBOL NO.	INDEX NO.	SYMBOL NO.	INDEX NO.	SYMBOL NO.	INDEX NO.		
R 131	169	R 141	177	R 151	182	R 161	175	R 171	172	---	--	R 201	170
R 132	171	R 142	168	---	--	R 162	170	R 172	172	R 182	163	R 202	169
R 133	172	R 143	177	R 153	169	R 163	169	R 173	172	R 183	163	R 203	170
R 134	169	R 144	169	R 154	169	R 164	168	R 174	175	R 184	170	R 204	169
R 135	169	R 145	169	R 155	174	R 165	179	R 175	161	R 185	166	R 205	169
R 136	175	R 146	170	R 156	174	R 166	169	R 176	161	R 186	169	R 206	170
R 137	170	R 147	170	R 157	175	R 167	169	R 177	161	R 187	170	R 207	164
R 138	172	R 148	170	R 158	175	R 168	170	R 178	161	R 188	170	R 208	169
R 139	169	R 149	169	R 159	175	R 169	174	R 179	161	---	--	R 209	169
R 140	170	R 150	181	R 160	175	R 170	174	---	--	R 200	165	R 210	169

### RESISTOR

SYMBOL NO.	INDEX NO.
R 211	169
---	--
R 213	169
R 214	169

### RN

SYMBOL NO.	INDEX NO.
RN 1	153
RN 2	155
RN 3	153
RN 4	155
RN 5	155
RN 6	156
RN 7	156
RN 8	153
RN 9	156
RN 10	156

SYMBOL NO.	INDEX NO.
RN 11	156
RN 12	156
RN 13	156
RN 14	156
RN 15	156
RN 16	153
RN 17	156
RN 18	153
RN 19	156
RN 20	153

SYMBOL NO.	INDEX NO.
RN 21	156
RN 22	153
RN 23	154
RN 24	154
RN 25	154
RN 26	154
RN 27	153
RN 28	155
RN 29	153
RN 30	153

SYMBOL NO.	INDEX NO.
RN 31	156
RN 32	156
RN 33	155
RN 34	153
RN 35	155
RN 36	155
RN 37	153
RN 38	153
RN 39	155
RN 40	155

### RN

SYMBOL NO.	INDEX NO.
RN 41	155
RN 42	155
RN 43	155
RN 44	155
RN 45	155
RN 46	155
RN 47	155
RN 48	153
RN 49	156
RN 50	156

SYMBOL NO.	INDEX NO.
RN 51	156
RN 52	156

### ZD

SYMBOL NO.	INDEX NO.
ZD 1	132

## 22.ENGINE BOARD (G062)

Index No.	Part No.	Description	Q'ty Per Assembly
*	G062 7611	PCB - Engine Board R-P2 - NA	1
*	G062 7631	PCB - Engine Board R-P2 - EU	1
1	A232 5355	IC - GATEX	1
2	A250 5501	IC - G8 HG71C106FL	1

Index No.	Part No.	Description	Q'ty Per Assembly
101	1102 4201	Connector - 2P	
102	1102 4202	Connector - 3P	
103	1102 4203	CT Header - 4P	
104	1102 4204	CT Header - 5P	
105	1102 4206	Connector - 7P	
106	1102 4207	Connector - 8P	
107	1102 4209	CT Header - 10P	
108	1102 4210	Connector - 11P	
109	1102 4497	Connector - 13P	
110	1102 4627	Connector - 10P	
111	1102 4629	Connector - 12P	
112	1102 4651	Connector - 10P	
113	1102 5007	CT Header - 14P	
114	1102 5303	Connector - 4P	
115	1102 5304	Connector - 5P	
116	1102 5307	Connector - 2P	
117	1102 5894	Connector - 68P	
118	1102 6304	Connector - 11P	
119	1102 6305	Connector - 12P	
120	1102 6319	Connector - 12P	
121	1102 6403	Connector - 30P	
122	1102 7717	Connector - TX24-30R-12ST-H1	
123	1102 8084	Connector - DF11-32DP-2DSA(08)	
124	1104 0764	IC Socket-8pin	
125	1107 0727	Fuse - K19374/4a	
126	1109 0014	Regurator - RGE500	
127	1400 0448	Transistor - 2SC2712-GR	
128	1400 0700	Transistor - DTD133HK	
129	1400 0753	Transistor - DTC114VKA	
130	1401 0303	IC - TD62308AP	
131	1402 1336	Diode - 1SS355	
132	1402 1345	Diode - UDZ3.6B	
133	1402 1380	Diode - PTZ 6.2A	
134	1402 1491	Diode - RB471E	
135	1403 0894	LED SML-010LT	

Index No.	Part No.	Description	Q'ty Per Assembly
136	1403 0895	LED SML-010MT	
137	1407 1600	TTLIC - SN74LS244NS	
138	1407 1741	TTL - SN74LS32NS	
139	1407 2052	TTLIC - SN74LS74ANS	
140	1407 2080	IC - SN74LS21NS	
141	1407 2187	TTLIC - SN74LS07NS	
142	1407 2218	TTLIC - SN74LS06NS	
143	1407 2219	IC - TD62003AP	
144	1407 3357	Comparator - BA10393F	
145	1407 4678	EEP ROM - BR93LC56A	
146	1407 4754	IC - HD6413002F16	
147	1407 4827	Flash - MBM29F400BC-70pFTN-SFK	
148	1408 0575	IC - M51957BFP	
149	1408 0595	IC - NJM2904M	
150	1408 1204	IC - TA8083P	
151	1503 0863	Oscillator - 14.7456MHZ	
152	1503 0865	Oscillator - 9.8304MHZ	
153	1601 5237	Resistor - 220 $\Omega$ - $\pm$ 5% 2W	
154	1601 7752	Resistor Array - 10K $\Omega$ $\pm$ 5%	
155	1601 7760	Resistor Array	
156	1601 7791	Resistor Array - 1K $\Omega$ $\pm$ 5%	
157	1601 7867	Resistor - 33 $\Omega$ $\pm$ 5% 1/16W	
158	1605 0577	Capacitor - 0.33 $\mu$ F+80-20%	
159	1607 0939	Filter - NFM41P11C204	
160	1607 1106	IC - LC0805L473M	
161	1630 1680	Resistor - 68 $\Omega$ $\pm$ 5% 1/4W	
162	1630 2391	Resistor - 390 $\Omega$ 1/8W	
163	1630 3101	Resistor - 100 $\Omega$ - 1/10W	
164	1630 3102	Resistor - 1K $\Omega$ 1/10W $\pm$ 5%	
165	1630 3103	Resistor - 10K $\Omega$ 1/10W $\pm$ 5%	
166	1630 3105	Resistor - 1M $\Omega$ $\pm$ 5% 1/10W	
167	1630 3680	Resistor - 68 $\Omega$ $\pm$ 5% 1/10W	
168	1630 4100	Resistor - 10 $\Omega$ $\pm$ 5% 1/16W	
169	1630 4102	Resistor - 1.0K $\Omega$ $\pm$ 5% 1/16W	
170	1630 4103	Resistor - 10K $\Omega$ $\pm$ 5% 1/16W	

Index No.	Part No.	Description	Q'ty Per Assembly
171	1630 4104	Resistor - 100 $\Omega$ $\pm$ 5% 1/16W	
172	1630 4222	Resistor - 2.2K $\Omega$ $\pm$ 5%	
173	1630 4243	Resistor - 24K $\Omega$ $\pm$ 5% 1/16W	
174	1630 4330	Resistor - 33 $\Omega$ $\pm$ 5% 1/8W	
175	1630 4332	Resistor - 3.3K $\Omega$ $\pm$ 5% 1/16W	
176	1630 4471	Resistor - 470 $\Omega$ $\pm$ 5% 1/16W	
177	1630 4472	Resistor - 4.7K $\Omega$ $\pm$ 5% 1/16W	
178	1633 2871	Resistor - 2.87K $\Omega$ $\pm$ 1% 1/10W	
179	1633 5601	Resistor - 506K $\pm$ 1% 1/10W	
180	1634 0000	Resistor - 0 $\Omega$ 1/16W	
181	1634 1002	Resistor - 10 $\Omega$ $\pm$ 5% 1/16W	
182	1634 3921	Resistor - 3.92K $\Omega$ $\pm$ 1% 1/1	
183	1640 5101	Capacitor - 100 $\mu$ F $\pm$ 20% 50V	
184	1642 1101	Capacitor - 100 $\mu$ F $\pm$ 20% 16V	
185	1643 1100	Capacitor - 10 $\mu$ F $\pm$ 20% 16V	
186	1643 5100	Capacitor - 10 $\mu$ F $\pm$ 20% 50V	
187	1660 0100	Capacitor - 10PF $\pm$ 0.5pF 50V	
188	1660 2120	Capacitor - 12 pF $\pm$ 5% 50V	
189	1660 3330	Capacitor - 33pF $\pm$ 5% 50V	
190	1660 3471	Capacitor - 470pF 50V	
191	1660 5102	Capacitor - 1000pF $\pm$ 10% 50V	
192	1660 6103	Capacitor - 10000pF - +80%-20%50V	
193	1660 7104	Capacitor - 100000pF 50V	
194	1660 8104	Capacitor - 0.1 $\mu$ F+80-20% 25V	
195	1902 0041	IC - 1M X8 70NS G10	

23.DECAL AND DOCUMENT (G062)

<p>1</p>	<p>2</p>	<p>3</p>	<p>4</p>
<p>5</p>		<p>9</p>	
<p>6</p>		<p>10</p>	
<p>7</p>	<p>8</p>	Empty space for decal 11	

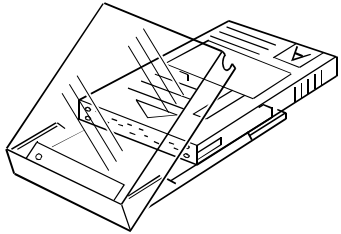
### 23.DECAL AND DOCUMENT (G062)

Index No.	Part No.	Description	Q'ty Per Assembly
1	A267 2892	Decal - Paper Set Direction	1
2	A267 2893	Decal - Paper Tray	1
3	G035 1382	Decal - Postscript	1
4	AA00 1389	Large Decal - Energy Star	1
5	A267 7351	Decal - Special Paper	1
6	AA00 0301	Decal Warning (high Temperature)	1
7	G062 8607	Setup Guide R-P2 RIC	1
7	G062 8608	Setup Guide R-P2 SVN	1
8	G062 8617	Operation Manual RIC US	1
8	G062 8618	Operation Manual SVN US	1
9	A267 3858	Decal - Right Cover	1
10	A267 2737	Decal - Right Cover	1

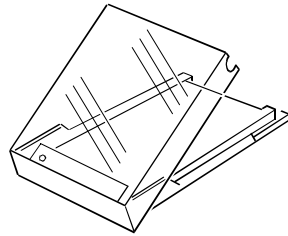
Index No.	Part No.	Description	Q'ty Per Assembly

## 24.SPECIAL TOOLS (G062)

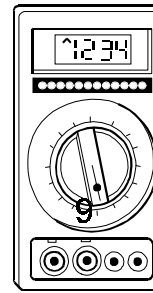
1



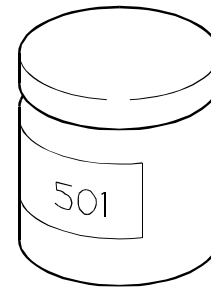
2



3



4



## 24.SPECIAL TOOLS (G062)

Index No.	Part No.	Description	Q'ty Per Assembly
1	A230 9352	Flash Memory Card - 4MB	1
2	A230 9351	Case - Flash Memory Card	1
3	A029 9387	Digital Multimeter - FLUKE87	1
4	5203 9501	Grease 501	1

Index No.	Part No.	Description	Q'ty Per Assembly

# Parts Index



## PM Parts Index

Section Name	Part No.	Description in Service Manual	Description in Parts Catalog	Q'ty Per Assembly	Page and Index No.
TRANSFER UNIT (G062)	G038 3831	Transfer/Separation Unit	Transfer/Separation Unit	1	13- 27
PAPER FEED SECTION 2 (G062)	A267 2751	Paper Feed Roller	Paper Feed Roller	1	17- 10
PAPER TRAY 2 (G062)	A267 2831	Friction Pad	Friction Pad	1	27- 22
FUSING UNIT 1 (G062)	AE01 1048	Hot Roller	Hot Roller	1	29- 14
	AE02 0086	Pressure Roller	Pressure Roller	1	29- 16
	AE04 4025	Hot Roller Stripper	Hot Roller Stripper	3	29- 5

## Parts Index

Part No.	Description	Page and Index No.
G062 1104	Fan - MM80 - Polygon Mirror Motor	45- 13
G062 1107	Duct - Fan Polygon Mirror Motor	45- 14
G062 1183	Bracket Paper Feed Drive - RP2	37- 2
G062 1281	Left Cover	9- 2
G062 1290	Cover - Rear	9- 7
G062 1292	Cover - IC Card	9- 27
G062 1304	Rear Paper Exit Cover	9- 5
G062 1323	Sheet - Screw - Plate	7- 16
G062 1900	Optical Unit Ass'y	11- *
G062 1915	Laser Diode Unit Ass'y	11- 18
G062 1931	Positioning Pin - Laser Unit	45- 10
G062 1932	Spacer - Positioning Pin - Laser Unit	45- 12
G062 3452	Quenching Lamp - RP2	23- 13
G062 5225	Harness - Power Supply Unit - RP2	41- 24
G062 5235	Harness - PSU Joint - RP2	41- 2
G062 5241	Harness - LDD - RP2	41- 9
G062 5243	Harness - Polygon Mirror Motor - RP2	41- 12
G062 5300	IC - ASIC SR64	49- 1
G062 5320	Harness - Operation Panel - RP2	7- 17
G062 5730	Power Pack - Bctd - RP2	43- 8
G062 5810	Mask Rom - MX23I3211T - RP2	49- 2
G062 5811	Shadeing Plate - Control Board	41- 18
G062 5945	Control Board - R-P2 - EXP Ass'y	41- 17
G062 5945	Control Board - R-P2 - EXP Ass'y	49- *
G062 7051	Front Door Ass'y - P2 - RIC	7- 7
G062 7111	Front Door Ass'y - P2 - INF	7- 7
G062 7611	PCB - Engine Board R-P2 - NA	53- *
G062 7611	PCB - Engine Board R-P2 - NA	41- 13
G062 7631	PCB - Engine Board R-P2 - EU	53- *
G062 7631	PCB - Engine Board R-P2 - EU	41- 13
G062 8607	Setup Guide R-P2 RIC	55- 7
G062 8608	Setup Guide R-P2 SVN	55- 7
G062 8617	Operation Manual RIC US	55- 8
G062 8618	Operation Manual SVN US	55- 8

Part No.	Description	Page and Index No.
AA00 0301	Decal Warning (high Temperature)	55- 6
AA00 0301	Decal - Warning (High Temperatre)	29- 9
AA00 0303	Decal - Warning (high Temperature)	29- 20
AA00 0542	Decal - Laser Class 1	9- 28
AA00 1389	Large Decal - Energy Star	55- 4
AA00 1389	Large Decal - Energy Star	7- 15
AA04 3514	Timing Belt - S3M - 420	37- 9
AA04 3515	Timing Belt - S3M - 225	37- 16
AA04 3516	Timing Belt - S3M - 342	37- 7
AA04 3517	Timing Belt - S3M - 315	39- 14
AA06 0792	Tension Spring	39- 13
AA06 0792	Tension Spring	37- 14
AA06 3334	Spring - Vertical Transport	9- 16
AA06 3334	Spring - Vertical Transport	15- 18
AA06 3394	Pressure Spring	13- 30
AA06 3395	Pressure Spring Rear	13- 5
AA06 3570	Tension Spring	31- 11
AA06 3598	Pressure Spring	13- 15
AA06 3599	Pressure Spring	13- 4
AA06 3607	Pressure Spring	13- 18
AA08 0249	Bushing - Vertical Transport	9- 15
AA08 0249	Bushing - Vertical Transport	15- 17
AA08 0250	Rear Bushing - Transfer Roller	13- 17
AA08 0252	Bushing - M4	19- 4
AA08 0252	Bushing - M4	17- 25
AA08 0256	Front Bushing - Transfer Roller	13- 31
AA08 2070	Bushing - 8x16x7	35- 24
AA08 2073	Roller Busing	31- 10
AA12 0094	Antistatic Brush	33- 13
AA13 2208	Spacer - M6	35- 15
AA14 3219	Stepped Screw	29- 2
AA14 3301	Stepped Screw - M3x4	43- 9
AA15 0708	Front Discharge Sheet	13- 23
AA15 0709	Rear Discharge Sheet	13- 24
AA16 1143	Cushion - Link	23- 3

Part No.	Description	Page and Index No.
AA16 1143	Cushion - Link	17- 26
AB01 0351	Drive Gear - Transfer Roller	13- 11
AB01 1199	Gear - 31Z/54Z	39- 4
AB01 1200	Gear - 38Z	39- 8
AB01 1203	Gear - 30Z	37- 21
AB01 1204	Gear - 27Z	37- 19
AB01 1400	Gear - 48Z	29- 12
AB01 1404	Gear - 19Z	33- 8
AB01 4050	Gear - 44Z	37- 6
AB01 7503	Gear - 35Z/28Z	37- 17
AB01 7522	Gear - Joint Paper Feed	37- 23
AB01 7523	Gear - 24Z	37- 8
AB03 0626	Timing Pulley - 20T	39- 5
AB03 0627	Timing Pulley - 18T	39- 16
AB03 3091	Timing Pulley - 31T/36T	37- 10
AB03 3092	Timing Pulley - 27T/48T	37- 15
AC01 0005	Mirror	11- 7
AC03 0077	Shield Glass	11- 11
AE01 1048	Hot Roller	29- 14
AE02 0086	Pressure Roller	29- 16
AE03 0029	Ball Bearing - 30x42x7	29- 13
AE03 0030	Ball Bearing - 8x19x6	29- 15
AE04 2029	Fusing Cleaning Roller	31- 12
AE04 4025	Hot Roller Stripper	29- 5
AF02 0475	Exit Roller	33- 14
AF02 0520	Registration Rollerass'y - RP 2	23- 11
AF02 0522	Roller-vertical Transport - RP2	19- 3
AF02 0523	Driven Roller - RP2	17- 24
AF02 1066	Registration Driven Roller - RP2	13- 8
AF02 2112	Driven Roller	33- 6
AF02 2118	Pull Out Roller - Option Tray	15- 16
AF04 0566	Tension Roller	33- 19
AF04 0567	Tension Roller	33- 22
AG07 0014	Magnet Catch	15- 21
AG07 0014	Magnet Catch	33- 3

Part No.	Description	Page and Index No.
AG07 1011	Magnet Catch	7- 4
AH01 0009	Rubber Pad - H5	15- 2
AW01 0057	Registration Sensor	23- 8
AW02 0075	Photointerruptor	19- 13
AW02 0075	Photointerruptor	17- 7
AW02 0075	Photointerruptor	35- 22
AW02 0086	Photointerruptor	33- 12
AW02 0111	Photointerruptor	19- 1
AW02 0111	Photointerruptor	17- 17
AW10 0050	Thermistor	31- 18
AW50 0022	Push Switch	19- 7
AX04 0119	DC Motor - 1.92W	35- 13
AX05 0140	Toner Bottle Motor - DC 2.6W	21- 11
AX06 0198	Polygon Scanner - MAT	11- 13
AX06 0209	Main Motor - DC30W	43- 1
AX20 0165	Magnetic Clutch	37- 3
AX20 0166	Magnetic Clutch	39- 3
AX20 0167	Magnetic Clutch	39- 2
AX44 0118	Fusing Lamp - 120V 770W	29- 8
AX44 0119	Fusing Lamp - 230V 770W	29- 8
G020 1332	Hinge - Front Cover	7- 5
G020 1391	Screw - M3x4.5	7- 3
G020 1391	Screw - M3x4.5	41- 15
G020 1391	Screw - M3x4.5	9- 3
G020 1911	Sync Detector Mirror	11- 25
G020 1937	Shield Glass - Polygon Morrор Motor	11- 22
G020 1966	Cylindrical Lens	11- 19
G020 1968	F Theta Mirror	11- 26
G020 1969	BTL Lens	11- 9
G020 2620	Push Switch - Paper Size	19- 8
G020 2620	Push Switch - Paper Size	17- 2
G020 3334	Slider Ass`y	21- 8
G020 5626	Push Switch	39- 10
G020 5626	Push Switch	33- 10
G020 5626	Push Switch	15- 13

Part No.	Description	Page and Index No.
G020 5829	Shoulder Screw - M3x2.5	37- 12
G020 5871	Spacer - KGLS-12RF	43- 6
G024 3344	Snap Ring M4	23- 5
G024 3344	Snap Ring M4	23- 7
G029 1975	Cylindrical Lens	11- 21
G029 1980	Decal - LD	11- 4
G029 4153	Decal - High Temperature	31- 19
G035 1382	Decal - Postscript	55- 3
G038 1076	Rear Guide Plate - Fusing Unit	43- 11
G038 1078	Right Front Frame	45- 8
G038 1079	Right Rear Frame	43- 12
G038 1235	Front Cover Ass'y	7- 14
G038 1268	Operation Instruction Sheet	7- 9
G038 1270	Right Rear Cover	9- 9
G038 1294	Rear Cover	9- 6
G038 1296	Rear Cap Cover - Large	9- 23
G038 1297	Rear Cap Cover - Small	9- 24
G038 1299	Rivet - 5	9- 25
G038 1303	Upper Paper Exit Cover	9- 8
G038 1320	Upper Right Front Cover	7- 2
G038 1345	Paper Exit Guide Cover	33- 1
G038 1348	Decal - Paper Exit	33- 2
G038 1378	Joint Cap	9- 4
G038 2580	Protect Base Bracket	15- 19
G038 2586	Positioning Pin Cover - Left	35- 36
G038 2587	Left Holder - Positioning Pin	35- 35
G038 2595	Separation Plate - Heater	15- 8
G038 3500	Toner Supply Unit (SVN/NRG/INF)	21- 2
G038 3560	Cover - Toner Supply Unit (SVN/NRG/INF)	21- 10
G038 3831	Transfer/Separation Unit	13- 27
G038 3890	Separation Unit	13- 14
G038 4134	Thermofuse	31- 13
G038 4141	Bracket - Fusing Connector	29- 21
G038 5201	Motor Harness	41- 8
G038 5203	Sensor Harness - New Article	39- 11

Part No.	Description	Page and Index No.
G038 5205	Toner Bottle Harness	41- 11
G038 5205	Toner Bottle Harness	21- 13
G038 5209	Safety Switch Harness	41- 10
G038 5209	Safety Switch Harness	45- 11
G038 5211	Paper Size Sensor Harness	41- 4
G038 5212	Paper Feed Harness - 1	41- 7
G038 5213	Paper Feed Harness - 2	41- 3
G038 5215	Paper Feed Harness - Motor	41- 6
G038 5216	Process Control Harness	41- 5
G038 5223	P.P/R-P Harness	41- 28
G038 5223	P.P/R-P Harness	43- 14
G038 5224	High Voltage Harness - B	43- 2
G038 5233	Joint Unit Harness	41- 26
G038 5236	Manual Feed Unit Harness	37- 4
G038 5237	Bank Connecting Harness	35- 39
G038 5813	Connector Cover - Control Board	41- 16
G038 5815	Harness Bracket	41- 27
G038 5816	Gate Pawl Bracket	43- 4
G038 5817	Power Supply Cord Bracket (120V)	41- 23
G038 5819	Power Pack Bracket	43- 7
G038 5823	Connector Bracket - Joint Unit	41- 1
G038 5825	Stand	33- 7
G038 5826	Cover - IC Card	41- 14
G038 5827	Spring Plate	41- 29
G038 7152	Operation Panel Ass'y (NA)	7- 10
G038 7172	Operation Panel Ass'y (EUR)	7- 10
G038 7273	Fusing Drawer Ass'y (120V)	29- 7
G038 7295	Front Door Ass'y - NRG	7- 7
G038 7296	Front Door Ass'y - SVN/GES	7- 7
G038 7523	Fusing Drawer Ass'y (230V)	29- 7
G038 7551	PCB Bank Bracket	35- 1
G038 7556	Fusing Harness -115V	43- 10
G038 7557	Power Cord Stopper - 115V	41- 25
G038 7560	PCB Bank	35- 2
G038 7562	PSU Guide Bracket	41- 22

Part No.	Description	Page and Index No.
G038 7580	Bracket - Power Inlet (230V)	41- 25
G038 7582	PSU Harness - EUR	41- 24
G038 7586	Fusing Harness - EUR	43- 10
G697 1082	Tray Holder	35- 5
G697 2677	Spring Plate - Side Fence	25- 5
G697 2677	Spring Plate - Side Fence	27- 5
H521 3355	C Ring - Paper Feed Roller	17- 18
H521 3356	Bushing - Paper Feed Roller	17- 22
H521 3356	Bushing - Paper Feed Roller	19- 22
N607 4525	Coil - RITL-9704	41- 30

Part No.	Description	Page and Index No.
A029 9387	Digital Multimeter - FLUKE87	57- 3
A134 1383	Emblem (RIC)	7- 6
A184 3411	Chuck Spring	21- 7
A184 3420	Bottle Chuck	21- 9
A184 3421	Chuck Shaft	21- 4
A184 3422	Toner Slider	21- 5
A217 7905	Support Cover (INF)	7- 6
A230 9351	Case - Flash Memory Card	57- 2
A230 9352	Flash Memory Card - 4MB	57- 1
A232 1916	Collar - Polygon Motor	11- 14
A232 1921	Front Holder - F Theta Mirror	11- 23
A232 1922	Rear Holder - F Theta Mirror	11- 15
A232 1927	Cylindrical Lens Holder	11- 20
A232 1971	Support Cover - Imaging Unit	11- 1
A232 2374	Spur	31- 15
A232 2987	Roller - Paper Tray	27- 12
A232 2987	Roller - Paper Tray	25- 12
A232 3962	Spring Plate - Band Stopper	13- 21
A232 5310	Laser Sync. Detector	11- 16
A232 5355	IC - GATEX	53- 1
A250 1374	Rivet - M14	9- 26
A250 5501	IC - G8 HG71C106FL	53- 2
A250 5720	Power Supply Unit (120V)	41- 21
A250 5722	Power Supply Unit (230V)	41- 21
A267 1051	PCU Guide Plate	23- 15
A267 1054	Guide Plate - Toner Supply Unit	21- 1
A267 1088	Hinge - Front Cover	45- 9
A267 1102	Duct - Fam Motor	45- 7
A267 1105	Exhaust Fan Motor - DC 2.88W	45- 6
A267 1115	Tension Bracket	37- 13
A267 1159	Bracket - Fusing Drive	37- 22
A267 1162	Cover - Fusing Drive	37- 18
A267 1170	Drive Gear - 36Z	37- 20
A267 1184	Fly Wheel	43- 3
A267 1264	Magnet Catch - Front Cover	7- 8

Part No.	Description	Page and Index No.
A267 1321	Inner Cover	7- 1
A267 1340	Upper Rear Cover - Scanner Unit	7- 11
A267 1343	Sub Paper Tray	7- 13
A267 1345	Paper Exit Cover	9- 1
A267 1348	Paper Support Cover	7- 12
A267 1370	Cap - Duplex	9- 10
A267 1917	Cover - Polygon Motor	11- 2
A267 1933	Mirror Holder - Sync.Detector	11- 24
A267 1938	Cover - Laser Unit	11- 5
A267 1940	Front Holder - BTL	11- 10
A267 1941	Rear Holder - BTL	11- 8
A267 1942	Mirror Holder	11- 6
A267 1944	Plate - Sync.Detector Board	11- 3
A267 2564	Front Grip Plate	15- 5
A267 2567	Rear Grip Plate	15- 6
A267 2573	Right Bracket - Grip Plate	15- 9
A267 2576	Left Bracket - Grip Plate	15- 7
A267 2577	Roller Guide Bracket 2	17- 19
A267 2587	Guide Plate	17- 27
A267 2588	Shoe - Right Rail	15- 3
A267 2589	Shoe - Supporter	15- 4
A267 2592	Right Cover Pin	35- 31
A267 2593	Left Cover Pin	35- 3
A267 2595	Spring Guard - Paper Feed	35- 34
A267 2596	Right Drive Guard	39- 1
A267 2601	Positioning Guide - Bypass Feed	39- 9
A267 2602	Tensioner	39- 15
A267 2604	Stopper - Feed Clutch	39- 7
A267 2605	Support Bracket - Transport Clutch	39- 6
A267 2660	Bracket - Photointerruptor	19- 2
A267 2663	Bracket - Photointerruptor	17- 16
A267 2665	Upper Roller Guide	23- 10
A267 2665	Upper Roller Guide	17- 21
A267 2666	Bushing - Roller Guide	17- 13
A267 2674	Bushing - Registration Roller	23- 6

Part No.	Description	Page and Index No.
A267 2677	Roller Clutch Bracket	15- 23
A267 2680	Spring Plate - Roller Clutch	15- 22
A267 2681	Roller Clutch - Vertical Transport	17- 20
A267 2685	Bushing - Driven Roller	13- 6
A267 2691	Left Guide Plate - Regist Roller	23- 17
A267 2695	Grounding Plate - Regist Roller	23- 1
A267 2698	Bracket - Registration Sensor	23- 9
A267 2700	Registration Roller Cleaner	23- 14
A267 2705	Middle Right Cover	9- 19
A267 2708	Cap - Bypass Feed	9- 21
A267 2709	Guide Mylar	9- 18
A267 2710	Stay - Cap	9- 20
A267 2711	Right Guide Plate - Regist Roller	13- 10
A267 2712	Cleaner - Regist Driven Roller	13- 7
A267 2713	Hexagonal Set Screw - M3X8	9- 22
A267 2715	Driven Roller - Vertical Transport	9- 17
A267 2716	Right Front Lower Cover	9- 12
A267 2717	Right Rear Lower Cover	9- 11
A267 2721	Upper Entrance Guide Plate	23- 4
A267 2722	Sub Guide Plate - Upper Entrance	23- 2
A267 2724	Lower Paper Guide Plate	15- 1
A267 2727	Middle Right Cover	9- 13
A267 2728	Cover - Vertical Transport	15- 20
A267 2732	Lower Guide - Vertical Transport	15- 12
A267 2733	Upper Guide - Vertical Transport	15- 11
A267 2736	Vertical Transport Guide	15- 10
A267 2737	Decal - Right Cover	15- 24
A267 2737	Decal - Right Cover	55- 10
A267 2740	Stopper Band	15- 14
A267 2744	Guide Mylar	13- 33
A267 2751	Paper Feed Roller	19- 17
A267 2751	Paper Feed Roller	17- 10
A267 2754	Shaft - Paper Feed Roller	17- 15
A267 2754	Shaft - Paper Feed Roller	19- 20
A267 2765	Stopper - Pressure Lever	35- 26

Part No.	Description	Page and Index No.
A267 2766	Tension Spring - Stopper	35- 25
A267 2767	Torsion Spring - Joint	35- 30
A267 2770	Vibrating Plate	35- 27
A267 2771	Tension Spring - Main	35- 32
A267 2772	Tension Spring - Sub	35- 18
A267 2773	Bracket - Rising 2	35- 33
A267 2776	Lever - DC Motor	35- 7
A267 2777	Actuator - Paper Height Sensor	35- 29
A267 2780	Tray Lift Assembly	35- 23
A267 2781	Bracket - Pressure Lever	35- 19
A267 2785	Lock Lever Shaft - Feed Roller	19- 11
A267 2785	Lock Lever Shaft - Feed Roller	17- 5
A267 2786	Lock Lever - Feed Roller	17- 3
A267 2786	Lock Lever - Feed Roller	19- 9
A267 2787	Tension Spring - Lock Lever	19- 10
A267 2787	Tension Spring - Lock Lever	17- 4
A267 2788	Torsion Spring - Lock Lever	17- 12
A267 2788	Torsion Spring - Lock Lever	19- 15
A267 2794	Sub Pressure Lever	35- 17
A267 2800	Guide Plate - Paper Feed Roller	17- 14
A267 2803	Feeler - Paper End Sensor	19- 16
A267 2803	Feeler - Paper End Sensor	17- 9
A267 2805	Bracker - Paper End Sensor	17- 6
A267 2805	Bracker - Paper End Sensor	19- 12
A267 2808	Lower Guide Plate - Paper Feedroller	19- 19
A267 2813	Cushion - Guide Plate	17- 28
A267 2814	Cushion - Guide Plate 2	19- 21
A267 2815	Bracket - Uppe Paper Lift	35- 28
A267 2828	Guide Plate - Pressure Release	17- 23
A267 2831	Friction Pad	25- 22
A267 2831	Friction Pad	27- 22
A267 2834	Pressure Spring - Friction Pad	25- 23
A267 2834	Pressure Spring - Friction Pad	27- 23
A267 2836	Pin - M6	35- 37
A267 2837	Upper Bracket - Paper Lift Motor	35- 21

Part No.	Description	Page and Index No.
A267 2838	Lower Bracket - Paper Lift Motor	35- 12
A267 2839	Harness Cover - Paper Feed	35- 20
A267 2840	Shaft - DC Motor	35- 14
A267 2842	Guide Plate - Pressure Release	19- 5
A267 2844	Compression Spring - Return	35- 10
A267 2845	Bushing - DC Motor Shaft	35- 11
A267 2846	Holder - Spring	35- 9
A267 2847	Bushing - Motor Shaft	35- 6
A267 2847	Bushing - Motor Shaft	19- 18
A267 2847	Bushing - Motor Shaft	17- 11
A267 2848	Holder - Pressure Spring	35- 8
A267 2849	Shutter - Photointerruptor	35- 16
A267 2850	Paper Tray	25- 2
A267 2850	Paper Tray	27- 2
A267 2851	Front Side Fence	25- 3
A267 2851	Front Side Fence	27- 3
A267 2852	Rear Side Fence	27- 17
A267 2852	Rear Side Fence	25- 17
A267 2853	End Fence	25- 7
A267 2853	End Fence	27- 7
A267 2854	Shaft - Tray Raising	25- 21
A267 2854	Shaft - Tray Raising	27- 21
A267 2856	Bracket - Rising	27- 18
A267 2856	Bracket - Rising	25- 18
A267 2857	Spring Plate - Side Fence	25- 16
A267 2857	Spring Plate - Side Fence	27- 16
A267 2858	Front Stopper Lever	27- 4
A267 2858	Front Stopper Lever	25- 4
A267 2859	Side Fence Stopper	25- 15
A267 2859	Side Fence Stopper	27- 15
A267 2860	Rear Lever Stopper	25- 14
A267 2860	Rear Lever Stopper	27- 14
A267 2861	Bottom Plate	25- 9
A267 2861	Bottom Plate	27- 9
A267 2864	Roller Bracket	27- 20

Part No.	Description	Page and Index No.
A267 2864	Roller Bracket	25- 20
A267 2865	Shaft - Roller	25- 19
A267 2865	Shaft - Roller	27- 19
A267 2866	Upper Slider	25- 8
A267 2866	Upper Slider	27- 8
A267 2868	Spring Plate	27- 24
A267 2868	Spring Plate	25- 24
A267 2869	Gear - 16Z	27- 11
A267 2869	Gear - 16Z	25- 11
A267 2873	Bracket - Paper Size Sensor	17- 1
A267 2874	Base Slider	25- 6
A267 2874	Base Slider	27- 6
A267 2875	Spring Plate - Slider	25- 30
A267 2875	Spring Plate - Slider	27- 32
A267 2878	Spring Plate - Grounding	25- 13
A267 2878	Spring Plate - Grounding	27- 13
A267 2881	Dial - Special Paper	27- 29
A267 2882	Sensor Bracket - Special Paper	19- 6
A267 2884	Front Side Fence	25- 29
A267 2884	Front Side Fence	27- 31
A267 2885	Rear Side Fence	25- 32
A267 2885	Rear Side Fence	27- 35
A267 2892	Decal - Paper Set Direction	55- 1
A267 2892	Decal - Paper Set Direction	25- 26
A267 2892	Decal - Paper Set Direction	27- 26
A267 2893	Decal - Paper Tray	55- 2
A267 2897	Shield - Side Fence	27- 27
A267 2897	Shield - Side Fence	25- 27
A267 2898	Sheet - Paper Tray Holder	27- 28
A267 2898	Sheet - Paper Tray Holder	25- 28
A267 2899	Sponge - Paper Feed Tray	27- 1
A267 2899	Sponge - Paper Feed Tray	25- 1
A267 2900	Seal - End Fence	27- 33
A267 2900	Seal - End Fence	25- 31
A267 2908	Bracket - Paper Tray Holder	35- 4

Part No.	Description	Page and Index No.
A267 2916	Bracket - Heater Harness	35- 38
A267 2917	Base Pad	25- 10
A267 2917	Base Pad	27- 10
A267 3461	Receptacle - Change Roller	43- 5
A267 3500	Toner Supply Unit Ass'y (RIC 120V)	21- 2
A267 3550	Case - Toner Supply Ass'y	21- 6
A267 3560	Cover - Toner Supply Unit (RIC)	21- 10
A267 3605	Cam - Handle	21- 3
A267 3611	Bracket - Toner Supply Motor (OEM)	21- 12
A267 3855	Cover - Transfer Unit	13- 26
A267 3857	Right Cover	13- 1
A267 3858	Decal - Right Cover	13- 29
A267 3858	Decal - Right Cover	55- 9
A267 3861	Terminal - Transfer Roller	13- 19
A267 3862	Terminal - Separation	13- 20
A267 3871	Lever - Transfer/Separation Unit	13- 16
A267 3883	Transfer Roller	13- 13
A267 3885	Front Positioning Roller	13- 12
A267 3886	Rear Positioning Roller	13- 32
A267 3905	Cover - ID Sensor	13- 25
A267 3921	Grounding Terminal	13- 9
A267 3931	Shutter Lever	13- 3
A267 3941	Band - Vertical Transport Cover	13- 22
A267 3950	Receptacle - Transfer/Sprtion Unit	43- 13
A267 3958	Roller - Lever	33- 4
A267 4056	C Ring - Hot Roller	29- 11
A267 4066	Spring - Hot Roller	29- 17
A267 4072	Lower Frame - Fusing Unit	31- 20
A267 4075	Shielding Plate - Harness	29- 19
A267 4076	Spacer - Safety Switch	31- 16
A267 4081	Tension Spring - Pressure Lever	31- 8
A267 4082	Pressure Lever	31- 9
A267 4083	Sub Pressure Lever	31- 7
A267 4085	Fusing Entrance Guide	31- 17
A267 4086	Ground Plate - Fusing Entrance Guide	31- 21



Part No.	Description	Page and Index No.
A267 4091	Terminal Plate - Thermofuse	31- 14
A267 4092	Terminal Plate - Fusing Lamp	29- 10
A267 4099	Thermistor Holder	31- 22
A267 4101	Bracket - Fushing Stripper	29- 6
A267 4103	Spring - Fusing Stripper	29- 4
A267 4111	Shaft - Fusing Pressure	31- 4
A267 4112	Grip - Fusing Pressure	31- 1
A267 4113	Front Lever - Pressure Roller	31- 2
A267 4114	Tension Spring - Pressure Roller	29- 3
A267 4115	Rear Lever - Pressure Roller	31- 5
A267 4121	Front Side Plate - Fusing Unit	31- 3
A267 4125	Rear Side Plate - Fusing Unit	31- 6
A267 4151	Upper Frame - Fusing Unit	29- 1
A267 4155	Upper Guide Plate	29- 23
A267 4157	Upper Guide Stopper	29- 25
A267 4158	Upper Guide Release Spring	29- 24
A267 4159	Upper Guide Shield	29- 22
A267 4161	Knob Screw	29- 18
A267 4452	Stay - Paper Exit	33- 5
A267 4454	Guide Plate - Paper Exit	33- 23
A267 4474	Spring Plate - Tension Roller	33- 17
A267 4476	Feeler - Paper Feed Sensor	33- 9
A267 4478	Feeler - Paper Overflow	33- 15
A267 4479	Shaft - Paper Overflow	33- 16
A267 4483	Spring Plate - Tension Roller	33- 20
A267 4486	Stopper	33- 18
A267 4487	Outer Stopper	33- 21
A267 4489	Sensor Cover - Paper Feed	33- 24
A267 5156	PCU Detector Board	37- 11
A267 5207	Relay Harness - Paper Exit Section	33- 11
A267 5215	Relay Harness - Paper End Sensor	17- 8
A267 5215	Relay Harness - Paper End Sensor	19- 14
A267 5222	Harness - Sync.Detector	11- 17
A267 5224	Harness - Polygon Mirror Motor	11- 12
A267 5229	Harness - AC Switch	41- 20

Part No.	Description	Page and Index No.
A267 5236	Relay Harness - ID Sensor	39- 12
A267 5237	Relay Harness - Registration Sensor	23- 16
A267 5812	Bracket - Door Switch	45- 3
A267 5813	Bracket - Micro Switch	45- 4
A267 5815	Lever - Door Switch	45- 1
A267 5820	Compression Spring	45- 2
A267 5821	Tension Spring - Door Switch	45- 5
A267 5822	Main Switch Ass'y	41- 19
A267 5823	Bracket - Main Switch	41- 31
A267 5824	Bracket - Harness	37- 1
A267 5826	Connector Bracket - Bypass Feed	37- 5
A267 7343	Paper Size Detector - 1	25- 25
A267 7344	Paper Size Detector - 2	27- 25
A267 7351	Decal - Special Paper	27- 30
A267 7351	Decal - Special Paper	55- 5
A267 7352	Decal - Side Fence	27- 34
A267 7353	1st Paper Tray Assembly	25- *
A267 7354	2nd Paper Tray Assembly	27- *
A267 7440	Bracket - Toner Supply Motor (RIC/BRZ)	21- 12
A267 9007	ID Sensor	13- 2
A548 6121	Screw - M4	9- 14

Part No.	Description	Page and Index No.
5203 9501	Grease 501	57- 4
5206 2686	Snap Ring	15- 15
5214 4975	Decal - High Voltage	13- 28
5215 2621	Snap Ring - M6	23- 12

Part No.	Description	Page and Index No.
0313 0350B	Philips Pan Head Screw - M3x35	45-103
0314 0300B	Philips Pan Head Screw - M4x30	45-105
0353 0100Z	Bind Screw - M3x10	41-104
0450 3008B	Tapping Screw - M3x8	13-101
0450 3008B	Tapping Screw - M3x8	7-102
0450 3008B	Tapping Screw - M3x8	31-102
0450 3010B	Tapping Screw - M3x10	29-103
0450 3010B	Tapping Screw - M3x10	31-104
0450 4008B	Tapping Screw - 4x8	25-101
0450 4008B	Tapping Screw - 4x8	27-101
0451 3006B	Tapping Screw - M3x6	13-102
0451 3006B	Tapping Screw - M3x6	15-101
0451 3006B	Tapping Screw - M3x6	33-102
0451 3006B	Tapping Screw - M3x6	37-101
0451 3006B	Tapping Screw - M3x6	35-101
0451 3006B	Tapping Screw - M3x6	39-101
0451 3006B	Tapping Screw - M3x6	17-101
0451 3006B	Tapping Screw - M3x6	43-101
0451 3006B	Tapping Screw - M3x6	41-101
0451 3006B	Tapping Screw - M3x6	31-103
0451 3006B	Tapping Screw - M3x6	29-101
0451 3006B	Tapping Screw - M3x6	23-101
0451 3006B	Tapping Screw - M3x6	21-101
0451 3006B	Tapping Screw - M3x6	19-101
0451 3008B	Tapping Screw - M3x8	35-105
0451 3008B	Tapping Screw - M3x8	29-106
0451 3008B	Tapping Screw - M3x8	7-103
0451 3008B	Tapping Screw - M3x8	11-104
0451 3008H	Tapping Screw - 3x8	7-101
0451 3008H	Tapping Screw - 3x8	9-101
0451 3008H	Tapping Screw - 3x8	37-107
0451 3008H	Tapping Screw - 3x8	43-104
0451 3008H	Tapping Screw - 3x8	35-103
0451 3008H	Tapping Screw - 3x8	41-103
0451 3030B	Tapping Screw - 3x30	17-102

Part No.	Description	Page and Index No.
0451 3030B	Tapping Screw - 3x30	35-108
0451 4006B	Tapping Screw - 4x6	27-102
0451 4008B	Philips Tapping Screw - M4x8	15-105
0452 3008B	Tapping Screw - M3x8	23-102
0452 3008B	Tapping Screw - M3x8	11-103
0452 3008B	Tapping Screw - M3x8	21-102
0452 3010B	Tapping Bind Screw - M3x10	11-101
0453 4006B	Tapping Screw - 4x6	25-102
0720 0030E	Retaining Ring - M3	15-102
0720 0030E	Retaining Ring - M3	25-103
0720 0030E	Retaining Ring - M3	27-103
0720 0030E	Retaining Ring - M3	29-105
0720 0040E	Retaining Ring - M4	33-104
0720 0040E	Retaining Ring - M4	35-102
0720 0040E	Retaining Ring - M4	37-108
0720 0040E	Retaining Ring - M4	9-102
0720 0040E	Retaining Ring - M4	17-103
0720 0040E	Retaining Ring - M4	19-103
0720 0060E	Retaining Ring - M6	37-104
0720 0060E	Retaining Ring - M6	39-102
0720 0060E	Retaining Ring - M6	27-104
0720 0060E	Retaining Ring - M6	35-110
0720 0060E	Retaining Ring - M6	25-104
0720 0060E	Retaining Ring - M6	29-104
0801 0149	Philips Pan Head Screw - M4x6	41-107
0801 0150	Philips Screw - M4x8	35-107
0802 5276	Tapping Screw With Waser - M3x6	37-105
0802 5276	Tapping Screw With Waser - M3x6	33-101
0802 5276	Tapping Screw With Waser - M3x6	45-102
0802 5276	Tapping Screw With Waser - M3x6	43-102
0802 5279	Tapping Screw With Washer - M3x8	39-103
0802 5279	Tapping Screw With Washer - M3x8	37-109
0802 5283	Tapping Screw - M4x8	33-105
0804 6075	Hexagonal Bolt - M3x8	41-106
0805 0083	Retaining Ring - M4	25-105

Part No.	Description	Page and Index No.
0805 0083	Retaining Ring - M4	27-105
0805 3480	Bushing - 6mm	33-103
0951 3004B	Philps Screw With Flat Washer - M3x4	17-106
0951 3008B	Philips Screw With Flat Washer - M3x8	43-105
0954 3006B	Screw - M3X6	29-102
0954 3006B	Screw - M3X6	31-101
0954 3010B	Philips Screw - M3x10	31-105
1102 4201	Connector - 2P	53-101
1102 4202	Connector - 3P	53-102
1102 4203	CT Header - 4P	53-103
1102 4204	CT Header - 5P	53-104
1102 4206	Connector - 7P	53-105
1102 4207	Connector - 8P	53-106
1102 4209	CT Header - 10P	53-107
1102 4210	Connector - 11P	53-108
1102 4473	CT Connector - 2p	45-108
1102 4497	Connector - 13P	53-109
1102 4627	Connector - 10P	53-110
1102 4629	Connector - 12P	53-111
1102 4651	Connector - 10P	53-112
1102 5007	CT Header - 14P	53-113
1102 5303	Connector - 4P	53-114
1102 5304	Connector - 5P	53-115
1102 5307	Connector - 2P	53-116
1102 5409	Connector - 20P	49-101
1102 5894	Connector - 68P	53-117
1102 6019	Connector - FCN685J036-I/YA	49-102
1102 6304	Connector - 11P	53-118
1102 6305	Connector - 12P	53-119
1102 6319	Connector - 12P	53-120
1102 6403	Connector - 30P	53-121
1102 7358	Connector - 80P	49-103
1102 7672	Connector - 54111-1615	37-106
1102 7717	Connector - TX24-30R-12ST-H1	53-122
1102 8084	Connector - DF11-32DP-2DSA(08)	53-123

Part No.	Description	Page and Index No.
1102 8090	Connector - TX25-30P-12ST-N1	49-104
1102 8153	Connector - FCN-568P068-G/05A-V4	49-105
1102 8189	Dimm Connector - 54534-1440	49-106
1104 0764	IC Socket-8pin	53-124
1104 0771	IC Socket - 28PIN	49-107
1105 0283	Clamp	39-104
1105 0283	Clamp	23-103
1105 0283	Clamp	17-105
1105 0283	Clamp	35-109
1105 0283	Clamp	19-105
1105 0291	Harness Clamp - LWS-3S	41-111
1105 0292	Wire Saddle	41-109
1105 0329	Clamp - ES-0510	15-104
1105 0329	Clamp - ES-0510	17-104
1105 0329	Clamp - ES-0510	35-106
1105 0329	Clamp - ES-0510	19-104
1105 0329	Clamp - ES-0510	43-103
1105 0334	Edge - 17	41-105
1105 0334	Edge - 17	45-107
1105 0415	Spacer - 12.7mm	27-106
1105 0460	Clamp	39-105
1105 0460	Clamp	41-102
1105 0460	Clamp	37-102
1105 0460	Clamp	23-104
1105 0460	Clamp	35-111
1105 0460	Clamp	15-103
1105 0487	Harness Clamp	41-110
1105 0487	Harness Clamp	11-102
1105 0487	Harness Clamp	35-104
1105 0487	Harness Clamp	45-106
1105 0488	Harness Clamp	37-103
1105 0501	Harness Clamp - RLMC-05TV0	19-102
1105 0501	Harness Clamp - RLMC-05TV0	17-107
1107 0354	Fuse - 3.15A 125V (120V)	41-114
1107 0388	Fuse - 2A 125V (120V)	41-116

Part No.	Description	Page and Index No.
1107 0390	Fuse - 4A 125V (120V)	41-115
1107 0393	Fuse - 8A 125V (120V)	41-113
1107 0629	Fuse - 15A 125V (120V)	41-112
1107 0727	Fuse - K19374/4a	53-125
1107 0748	Fuse - 2A, 250V (230V)	41-116
1107 0750	Fuse - 3.15A 250V (230V)	41-113
1107 0750	Fuse - 3.15A 250V (230V)	41-114
1107 0751	Fuse - 4A 250V (230V)	41-115
1109 0014	Regurator - RGE500	53-126
1204 1542	Dip Switch	49-108
1204 2477	Locker Switch - AC250V 10A	41-108
1204 2510	Micro Switch	45-104
1400 0448	Transistor - 2SC2712-GR	53-127
1400 0700	Transistor - DTD133HK	53-128
1400 0753	Transistor - DTC114VKA	53-129
1400 0772	Transistor - 2SA1834	49-109
1401 0303	IC - TD62308AP	53-130
1402 1058	Diode Array - DA114	49-110
1402 1336	Diode - 1SS355	53-131
1402 1345	Diode - UDZ3.6B	53-132
1402 1380	Diode - PTZ 6.2A	53-133
1402 1444	Diode - RB051L-40	49-111
1402 1491	Diode - RB471E	53-134
1403 0894	LED SML-010LT	53-135
1403 0895	LED SML-010MT	53-136
1403 0953	LED - SMI-310MT	49-112
1407 1600	TTLIC - SN74LS244NS	53-137
1407 1741	TTL - SN74LS32NS	53-138
1407 2052	TTLIC - SN74LS74ANS	53-139
1407 2080	IC - SN74LS21NS	53-140
1407 2187	TTLIC - SN74LS07NS	53-141
1407 2218	TTLIC - SN74LS06NS	53-142
1407 2219	IC - TD62003AP	53-143
1407 3357	Comparator - BA10393F	53-144
1407 4467	CMOS IS - TC74HCT273AF	49-113

Part No.	Description	Page and Index No.
1407 4678	EEP ROM - BR93LC56A	53-145
1407 4684	SRAM STK12C68-P45	49-114
1407 4754	IC - HD6413002F16	53-146
1407 4827	Flash - MBM29F400BC-70PFTN-SFK	53-147
1407 4919	IC - 74VHCT244 TSSOP	49-115
1407 4922	IC - 74VHC374 TSSOP	49-116
1407 4947	IC - 74LCX244	49-117
1407 5275	CMOS LOGIC - 74LVCHR16245A TSSOP	49-118
1407 5278	Clock Generator - ICS9148BF-17	49-119
1407 5322	IC - CMOS LOGIC SN74LVC161284DGG	49-120
1407 5412	CPU - RM5261-250Q-REV1.2C	49-121
1408 0575	IC - M51957BFP	53-148
1408 0595	IC - NJM2904M	53-149
1408 1204	IC - TA8083P	53-150
1408 1449	IC - M62220FP	49-122
1408 1538	IC - M62032AFP	49-123
1408 1562	Series Regulator - SC1565IS-2.5	49-124
1503 0842	Oscillator - 14.31818Mhz	49-125
1503 0863	Oscillator - 14.7456MHZ	53-151
1503 0865	Oscillator - 9.8304MHZ	53-152
1601 5237	Resistor - 220 $\Omega$ - $\pm$ 5% 2W	53-153
1601 7752	Resistor Array - 10K $\Omega$ $\pm$ 5%	49-126
1601 7752	Resistor Array - 10K $\Omega$ $\pm$ 5%	53-154
1601 7753	Resistor - 47 $\Omega$ $\pm$ 5%	49-127
1601 7760	Resistor Array	53-155
1601 7781	Resistor - 10 $\Omega$ $\pm$ 5%	49-128
1601 7791	Resistor Array - 1K $\Omega$ $\pm$ 5%	53-156
1601 7867	Resistor - 33 $\Omega$ $\pm$ 5% 1/16W	49-129
1601 7867	Resistor - 33 $\Omega$ $\pm$ 5% 1/16W	53-157
1601 7869	Resistor Array - 1.2k $\Omega$ $\pm$ 5% 1/16W	49-130
1601 7898	Resistor Array	49-131
1604 4333	Capacitor - 100 $\mu$ F $\pm$ 20% 10V	49-132
1604 4335	Capacitor - 220 $\mu$ F $\pm$ 20% 10V	49-133
1604 4428	Capacitor 100 $\mu$ F 20% 16V	49-134
1604 4815	Capacitor - 150 $\mu$ F $\pm$ 20% 4V	49-135

Part No.	Description	Page and Index No.
1604 4821	Capacitor - 85 ° C 220 $\mu$ F $\pm$ 20% 4V	49-136
1605 0577	Capacitor - 0.33 $\mu$ F +80-20%	53-158
1605 0781	Capacitor -5pF 50V	49-137
1605 1010	Capacitor - 10 $\mu$ F $\pm$ 20% 10V	49-138
1605 1132	Capacitor - 2.2 $\mu$ F +80-20% 16V	49-139
1607 0939	Filter - NFM41P11C204	53-159
1607 1061	Filter - BLM11P300SPB	49-140
1607 1106	IC - LC0805L473M	53-160
1607 1124	Filter- BLM11A471SGPB	49-141
1607 1206	Filter - ACC2012L-250	49-142
1607 1216	Inductor - 22UH $\pm$ 20% 4A	49-143
1610 1419	Resistor - 100 $\Omega$ $\pm$ 1% 1/2W	49-144
1610 1420	Resistor - 0.075 $\Omega$ $\pm$ 1% 0.5W	49-145
1630 1680	Resistor - 68 $\Omega$ $\pm$ 5% 1/4W	53-161
1630 2391	Resistor - 390 $\Omega$ 1/8W	53-162
1630 3101	Resistor - 100 $\Omega$ - 1/10W	53-163
1630 3102	Resistor - 1K $\Omega$ 1/10W $\pm$ 5%	53-164
1630 3103	Resistor - 10K $\Omega$ 1/10W $\pm$ 5%	53-165
1630 3105	Resistor - 1M $\Omega$ $\pm$ 5% 1/10W	53-166
1630 3680	Resistor - 68 $\Omega$ $\pm$ 5% 1/10W	53-167
1630 4100	Resistor - 10 $\Omega$ $\pm$ 5% 1/16W	49-146
1630 4100	Resistor - 10 $\Omega$ $\pm$ 5% 1/16W	53-168
1630 4102	Resistor - 1.0K $\Omega$ $\pm$ 5% 1/16W	49-147
1630 4102	Resistor - 1.0K $\Omega$ $\pm$ 5% 1/16W	53-169
1630 4103	Resistor - 10K $\Omega$ $\pm$ 5% 1/16W	49-148
1630 4103	Resistor - 10K $\Omega$ $\pm$ 5% 1/16W	53-170
1630 4104	Resistor - 100 $\Omega$ $\pm$ 5% 1/16W	53-171
1630 4122	Resistor - 1.2K $\Omega$ 5% 1/16W	49-149
1630 4220	Resistor - 22 $\Omega$ $\pm$ 5% 1/16W	49-150
1630 4222	Resistor - 2.2K $\Omega$ $\pm$ 5%	53-172
1630 4243	Resistor - 24K $\Omega$ $\pm$ 5% 1/16W	53-173
1630 4330	Resistor - 33 $\Omega$ $\pm$ 5% 1/8W	49-151
1630 4330	Resistor - 33 $\Omega$ $\pm$ 5% 1/8W	53-174
1630 4332	Resistor - 3.3K $\Omega$ $\pm$ 5% 1/16W	53-175
1630 4470	Resistor - 470 $\Omega$ $\pm$ 5% 1/16W	49-152

Part No.	Description	Page and Index No.
1630 4471	Resistor - 470 $\Omega$ $\pm$ 5% 1/16W	53-176
1630 4472	Resistor - 4.7K $\Omega$ $\pm$ 5% 1/16W	49-153
1630 4472	Resistor - 4.7K $\Omega$ $\pm$ 5% 1/16W	53-177
1630 4519	Resistor - 5.1 $\Omega$ $\pm$ 5% 1/16W	49-154
1630 4562	Resistor - 5.6k $\Omega$ - $\pm$ 5% - 1/16W	49-155
1630 4620	Resistor - 62 $\Omega$ $\pm$ 5% 1/16W 1608	49-156
1630 4680	Resistor - 68 $\Omega$ $\pm$ 5% 1/16W	49-157
1630 4681	Resistor - 680 $\Omega$ $\pm$ 5% 1/16W	49-158
1630 4820	Resistor - 82 $\Omega$ $\pm$ 5% 1/16W	49-159
1632 0000	Resistor - 0 $\Omega$ 1/8W	49-160
1633 2871	Resistor - 2.87K $\Omega$ $\pm$ 1% 1/10W	53-178
1633 5601	Resistor - 506K $\pm$ 1% 1/10W	53-179
1634 0000	Resistor - 0 $\Omega$ 1/16W	53-180
1634 0000	Resistor - 0 $\Omega$ 1/16W	49-161
1634 1002	Resistor - 10 $\Omega$ $\pm$ 5% 1/16W	53-181
1634 1003	Resistor - 100K $\Omega$ $\pm$ 1% 1/16W	49-162
1634 1333	Resistor - 133K $\Omega$ $\pm$ 1% 1/16W	49-163
1634 1809	Resistor - 18.0 $\Omega$ $\pm$ 1% 1/16W	49-164
1634 3309	Resistor - 33 $\Omega$ $\pm$ 1% 1/16W	49-165
1634 3921	Resistor - 3.92K $\Omega$ $\pm$ 1% 1/1	53-182
1634 4022	Resistor - 40.2K $\Omega$ $\pm$ 1% 1/16W	49-166
1634 5609	Resistor - 56 $\Omega$ $\pm$ 1% 1/16W	49-167
1640 5101	Capacitor - 100 $\mu$ F $\pm$ 20% 50V	53-183
1642 1101	Capacitor - 100 $\mu$ F $\pm$ 20% 16V	53-184
1643 1100	Capacitor - 10 $\mu$ F $\pm$ 20% 16V	53-185
1643 5100	Capacitor - 10 $\mu$ F $\pm$ 20% 50V	53-186
1644 1100	Capacitor - 10 $\mu$ F $\pm$ 20% 16V	49-168
1660 0100	Capacitor - 10PF $\pm$ 0.5pF 50V	53-187
1660 0100	Capacitor - 10PF $\pm$ 0.5pF 50V	49-169
1660 2101	Capacitor - 100pF - $\pm$ 10% - 50V	49-170
1660 2120	Capacitor - 12 pF $\pm$ 5% 50V	53-188
1660 2221	Capacitor - 220pF +80-20% 50V	49-171
1660 2330	Capacitor - 33pF - $\pm$ 5% - 50V	49-172
1660 2331	Capacitor - 330pF $\pm$ 5% 50V	49-173
1660 3330	Capacitor - 33pF $\pm$ 5% 50V	53-189

Part No.	Description	Page and Index No.
1660 3471	Capacitor - 470pF 50V	53-190
1660 4102	Capacitor - 1000pF $\pm$ 10% 50V	49-174
1660 4103	Capacitor - 10000pF - $\pm$ 10% - 50V	49-175
1660 5102	Capacitor - 1000pF $\pm$ 10% 50V	53-191
1660 6103	Capacitor - 10000pF - +80%-20%50V	53-192
1660 6103	Capacitor - 10000pF - +80%-20%50V	49-176
1660 7104	Capacitor - 100000pF 50V	53-193
1660 8104	Capacitor - 0.1 $\mu$ F +80-20% 25V	49-177
1660 8104	Capacitor - 0.1 $\mu$ F +80-20% 25V	53-194
1902 0041	IC - 1M X8 70NS G10	53-195
1906 0022	Flash Memory - E28F640J3A-120	49-178
1907 0016	SDRAM 64M 1MX16X4 100MHZ G5	49-179